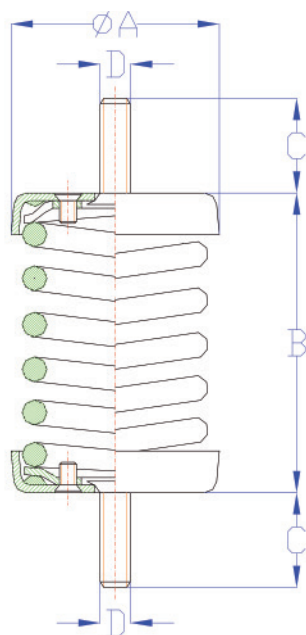


N T2 / M T2

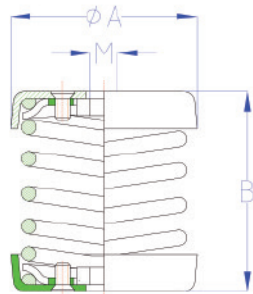
	REF / ART.NR	DIMENSIONES / DIMENSIONS ABMESSUNGEN				COMPRESION / COMPRESSION DRUCKBELASTUNG		CONSTANTE / STIFFNESS RIGIDITE / STEIFIGKEIT
		ØA	B	D	C	CARGA / LOAD CHARGE / LAST	FLECHA / DEFLECTION FLECHE / FEDERWEG	
	mm.				kg.	mm.	kg./cm	
N T2	N10 T2	55	59	M-08	25	10	11±2,0	9,09
	N15 T2	55	59	M-08	25	15	11±2,0	13,64
	N25 T2	55	59	M-08	25	25	11±2,0	22,73
	N50 T2	55	59	M-08	25	50	11±2,0	45,45
	N75 T2	55	59	M-08	25	75	11±2,0	68,18
	N100 T2	55	59	M-08	25	100	11±2,0	90,91
	N150 T2	73	91	M-12	33	150	13±2,0	115,38
	N250 T2	73	91	M-12	33	250	13±2,0	192,31
	N350 T2	73	91	M-12	33	350	13±2,0	269,23
M T2	M25 T2	55	79	M-08	25	25	20±2,0	12,50
	M50 T2	55	79	M-08	25	50	20±2,0	25,00
	M75 T2	55	79	M-08	25	75	20±2,0	37,50
	M100 T2	55	79	M-08	25	100	20±2,0	50,00
	M125 T2	55	79	M-08	25	125	20±2,0	62,50
	M150 T2	73	120	M-12	33	150	30±3,0	50,00
	M200 T2	73	120	M-12	33	200	30±3,0	66,67
	M250 T2	73	120	M-12	33	250	30±3,0	83,33
	M350 T2	73	120	M-12	33	350	30±3,0	116,67
	M450 T2	73	120	M-12	33	450	30±3,0	150,00
	M550 T2	73	120	M-12	33	550	30±3,0	183,33



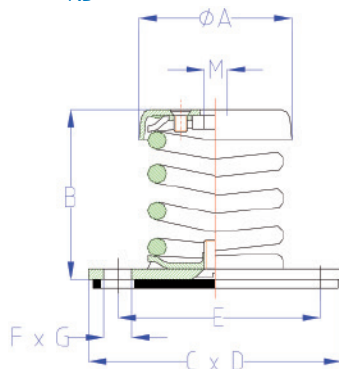
METÁLICOS / RESSORTS / SPRINGS / FEDERISOLATOREN N (10 - 350 kg.)

REF / ART.NR	DIMENSIONES / DIMENSIONS ABMESSUNGEN								COMPRESION / COMPRESSION DRUCKBELASTUNG		CONSTANTE / STIFFNESS RIGIDITE / STEIFIGKEIT	
	ØA	B	C	D	E	F	G	M	CARGA / LOAD CHARGE / LAST	FLECHA / DEFLECTION FLECHE / FEDERWEG		
	mm.								kg.	mm.	kg./cm	
N10	55	59						8	10	11±2,0	9,09	
N15	55	59						8	15	11±2,0	13,64	
N25	55	59						8	25	11±2,0	22,73	
N50	55	59						8	50	11±2,0	45,45	
N75	55	59						8	75	11±2,0	68,18	
N100	55	59						8	100	11±2,0	90,91	
N150	73	91						12	150	13±2,0	115,39	
N250	73	91						12	250	13±2,0	192,31	
N350	73	91						12	350	13±2,0	269,23	
Z	N10 B	55	61	90	55	70	10	10	8	10	11±2,0	9,09
	N15 B	55	61	90	55	70	10	10	8	15	11±2,0	13,64
	N25 B	55	61	90	55	70	10	10	8	25	11±2,0	22,73
	N50 B	55	61	90	55	70	10	10	8	50	11±2,0	45,45
	N75 B	55	61	90	55	70	10	10	8	75	11±2,0	68,18
	N100 B	55	61	90	55	70	10	10	8	100	11±2,0	90,91
	N150 B	73	94	110	75	89	11	10	12	150	13±2,0	115,38
	N250 B	73	94	110	75	89	11	10	12	250	13±2,0	192,31
N350 B	73	94	110	75	89	11	10	12	350	13±2,0	269,23	
	N10 BB		63	90	55	70	10	10	8	10	11±2,0	9,09
	N15 BB		63	90	55	70	10	10	8	15	11±2,0	13,64
	N25 BB		63	90	55	70	10	10	8	25	11±2,0	22,73
	N50 BB		63	90	55	70	10	10	8	50	11±2,0	45,45
	N75 BB		63	90	55	70	10	10	8	75	11±2,0	68,18
	N100 BB		63	90	55	70	10	10	8	100	11±2,0	90,91
	N150 BB		95	110	75	89	11	10	12	150	13±2,0	115,38
	N250 BB		95	110	75	89	11	10	12	250	13±2,0	192,31
N350 BB		95	110	75	89	11	10	12	350	13±2,0	269,23	

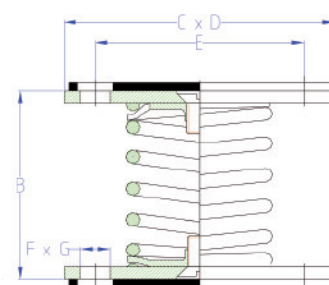
N



NB



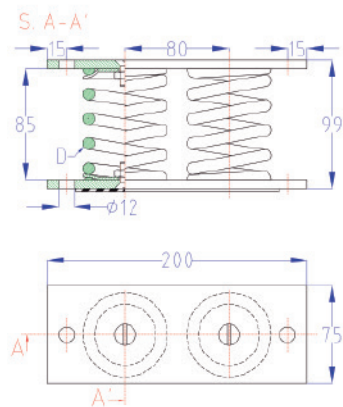
NBB



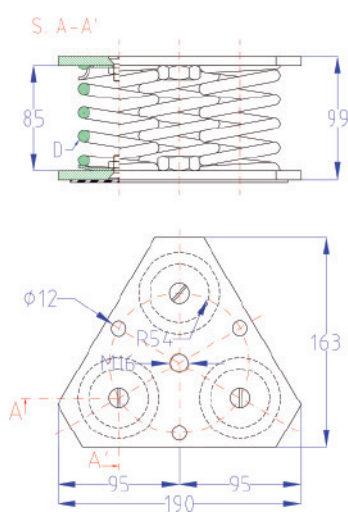
2N / 3N / 4N (300 - 1400 kg.)

	REF / ART.NR	CARGA / LOAD CHARGE / LAST	FLECHA / DEFLECTION FLÈCHE / FEDERWEG	CONSTANTE / STIFFNESS RIGIDITE / STEIFIGKEIT
		kg.	mm.	kg./cm
2N	2N 300	300	13±2,0	230,77
	2N 500	500	13±2,0	384,62
	2N 700	700	13±2,0	538,46
3N	3N 450	450	13±2,0	346,15
	3N 750	750	13±2,0	576,92
	3N 1050	1050	13±2,0	807,69
4N	4N 600	600	13±2,0	461,54
	4N 1000	1000	13±2,0	769,23
	4N 1400	1400	13±2,0	1076,92

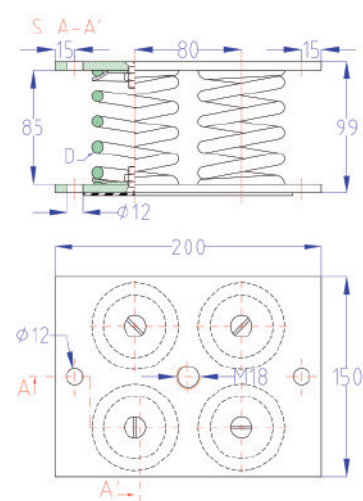
2N



3N



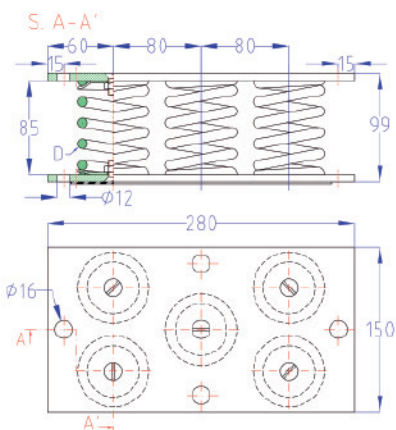
4N



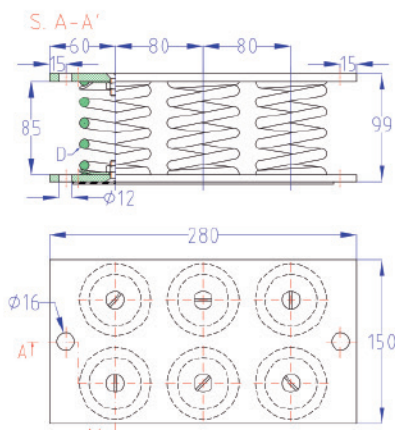
5N / 6N / 9N (750 - 3150 kg.)

	REF / ART.NR	CARGA / LOAD CHARGE / LAST	FLECHA / DEFLECTION FLÈCHE / FEDERWEG	CONSTANTE / STIFFNESS RIGIDITE / STEIFIGKEIT
		kg.	mm.	kg./cm
5N	5N 750	750	13±2,0	576,92
	5N 1250	1250	13±2,0	961,54
	5N 1750	1750	13±2,0	1346,15
6N	6N 900	900	13±2,0	692,31
	6N 1500	1500	13±2,0	1153,85
	6N 2100	2100	13±2,0	1615,38
9N	9N 1350	1350	13±2,0	1038,46
	9N 2250	2250	13±2,0	1730,77
	9N 3150	3150	13±2,0	2423,08

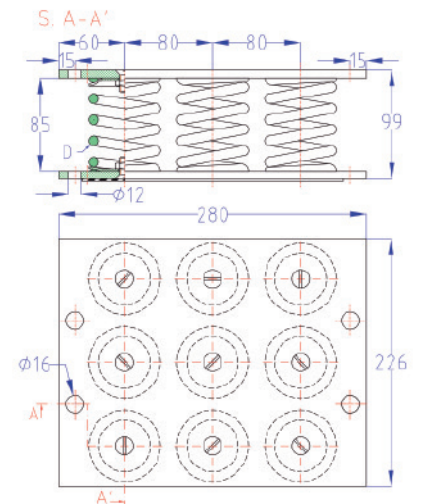
5 N



6 N

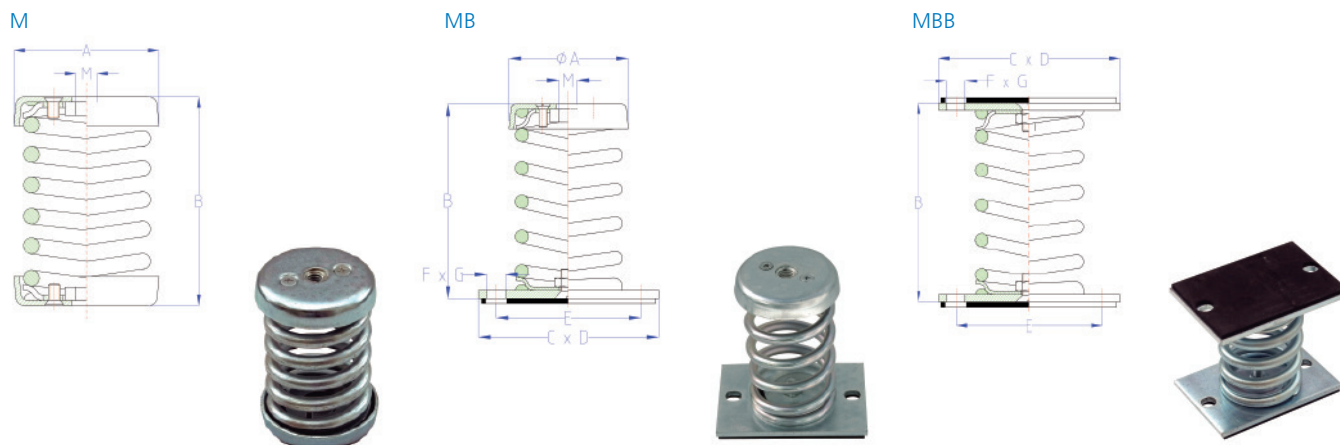


9 N



METÁLICOS / RESSORTS / SPRINGS / FEDERISOLATOREN M (25 - 550 kg.)

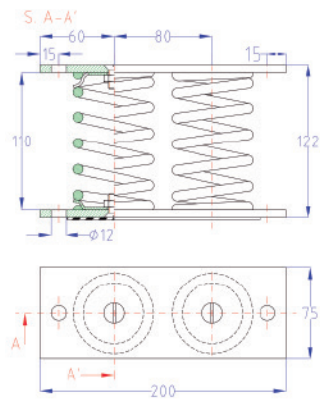
REF / ART.NR	DIMENSIONES / DIMENSIONS ABMESSUNGEN								COMPRESION / COMPRESSION DRUCKBELASTUNG		CONSTANTE / STIFFNESS RIGIDITE / STEIFIGKEIT
	ØA	B	C	D	E	F	G	M	CARGA / LOAD CHARGE / LAST	FLECHA / DEFLECTION FLECHE / FEDERWEG	
	mm.								kg.	mm.	kg./cm
M25	55	79						8	25	20±2,0	12,50
M50	55	79						8	50	20±2,0	25,00
M75	55	79						8	75	20±2,0	37,50
M100	55	79						8	100	20±2,0	50,00
M125	55	79						8	125	20±2,0	62,50
M150	73	116						12	150	30±3,0	50,00
M200	73	116						12	200	30±3,0	66,67
M250	73	116						12	250	30±3,0	83,33
M350	73	116						12	350	30±3,0	116,67
M450	73	116						12	450	30±3,0	150,00
M550	73	116						12	550	30±3,0	183,33
M25 B	55	81	90	55	70	10	10	8	25	20±2,0	12,50
M50 B	55	81	90	55	70	10	10	8	50	20±2,0	25,00
M75 B	55	81	90	55	70	10	10	8	75	20±2,0	37,50
M100 B	55	81	90	55	70	10	10	8	100	20±2,0	50,00
M125 B	55	81	90	55	70	10	10	8	125	20±2,0	62,50
M150 B	73	119	110	75	89	11	10	12	150	30±3,0	50,00
M200 B	73	119	110	75	89	11	10	12	200	30±3,0	66,67
M250 B	73	119	110	75	89	11	10	12	250	30±3,0	83,33
M350 B	73	119	110	75	89	11	10	12	350	30±3,0	116,67
M450 B	73	119	110	75	89	11	10	12	450	30±3,0	150,00
M550 B	73	119	110	75	89	11	10	12	550	30±3,0	183,33
M25 BB		83	90	55	70	10	10		25	20±2,0	12,50
M50 BB		83	90	55	70	10	10		50	20±2,0	25,00
M75 BB		83	90	55	70	10	10		75	20±2,0	37,50
M100 BB		83	90	55	70	10	10		100	20±2,0	50,00
M125 BB		83	90	55	70	10	10		125	20±2,0	62,50
M150 BB		120	110	75	89	11	10		150	30±3,0	50,00
M200 BB		120	110	75	89	11	10		200	30±3,0	66,67
M250 BB		120	110	75	89	11	10		250	30±3,0	83,33
M350 BB		120	110	75	89	11	10		350	30±3,0	116,67
M450 BB		120	110	75	89	11	10		450	30±3,0	150,00
M550 BB		120	110	75	89	11	10		550	30±3,0	183,33



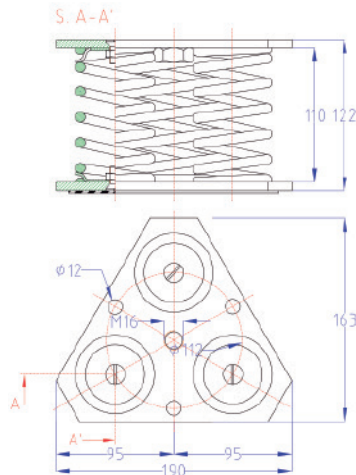
2M / 3M / 4M (300 - 2200 kg.)

	REF / ART.NR	CARGA / LOAD CHARGE / LAST	FLECHA / DEFLECTION FLÈCHE / FEDERWEG	CONSTANTE / STIFFNESS RIGIDITE / STEIFIGKEIT
		kg.	mm.	kg./cm
2M	2M 300	300	30±3,0	100,00
	2M 400	400	30±3,0	130,33
	2M 500	500	30±3,0	166,67
	2M 700	700	30±3,0	233,33
	2M 900	900	30±3,0	300,00
	2M 1100	1100	30±3,0	366,66
3M	3M 450	450	30±3,0	150,00
	3M 600	600	30±3,0	200,00
	3M 750	750 </td <td>30±3,0</td> <td>250,00</td>	30±3,0	250,00
	3M 1050	1050	30±3,0	350,00
	3M 1350	1350	30±3,0	450,00
	3M 1650	1650	30±3,0	550,00
4M	4M 600	600	30±3,0	200,00
	4M 800	800	30±3,0	266,67
	4M 1000	1000	30±3,0	333,33
	4M 1400	1400	30±3,0	466,67
	4M 1800	1800	30±3,0	600,00
	4M 2200	2200	30±3,0	733,33

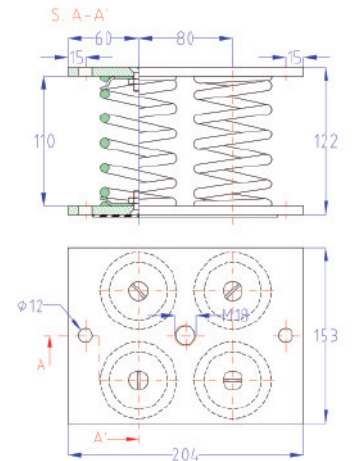
2M



3M



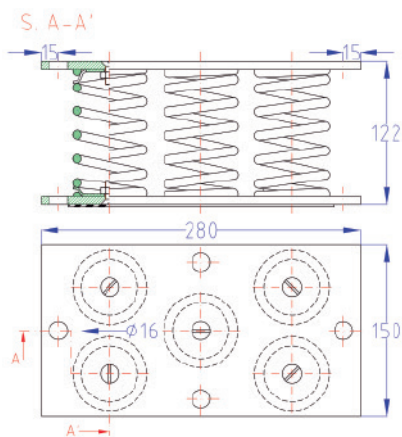
4M



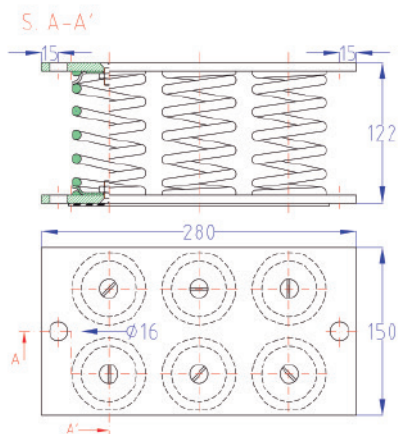
5M / 6M / 9M (750 - 4950 kg.)

	REF / ART.NR	CARGA / LOAD CHARGE / LAST	FLECHA / DEFLECTION FLÈCHE / FEDERWEG	CONSTANTE / STIFFNESS RIGIDITE / STEIFIGKEIT
		kg.	mm.	kg./cm
5M	5M 750	750	30±3,0	250,00
	5M 1000	1000	30±3,0	333,33
	5M 1250	1250	30±3,0	416,67
	5M 1750	1750	30±3,0	583,33
	5M 2250	2250	30±3,0	750,00
	5M 2750	2750	30±3,0	916,67
6M	6M 900	900	30±3,0	300,00
	6M 1200	1200	30±3,0	400,00
	6M 1500	1500	30±3,0	500,00
	6M 2100	2100	30±3,0	700,00
	6M 2700	2700	30±3,0	900,00
	6M 3300	3300	30±3,0	1100,00
9M	9M 1350	1350	30±3,0	450,00
	9M 1800	1800	30±3,0	600,00
	9M 2250	2250	30±3,0	750,00
	9M 3150	3150	30±3,0	1050,00
	9M 4050	4050	30±3,0	1350,00
	9M 4950	4950	30±3,0	1650,00

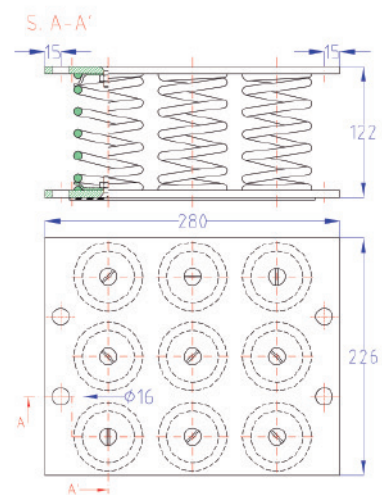
5M



6M

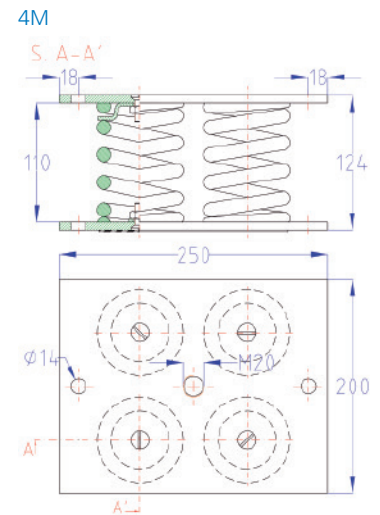
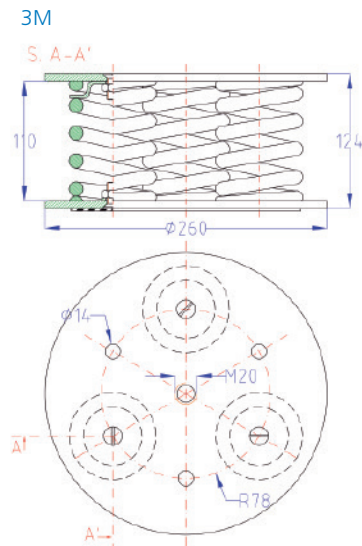
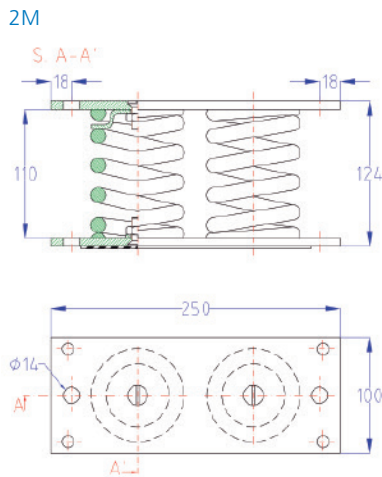
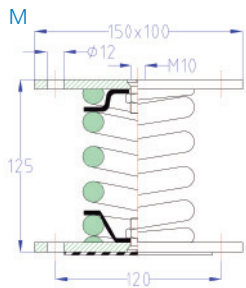


9M



M / 2M / 3M / 4M (500 - 3000 kg.)

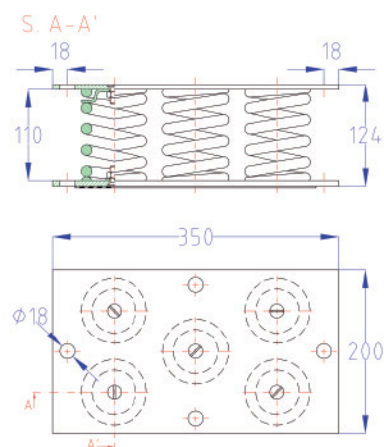
	REF / ART.NR	CARGA / LOAD CHARGE / LAST	FLECHA / DEFLECTION FLÈCHE / FEDERWEG	CONSTANTE / STIFFNESS RIGIDITE / STEIFIGKEIT
		kg.	mm.	kg./cm
M	M500	500	18±2,0	277,78
	M750	750	18±2,0	416,67
2M	2M 1000	1000	18±2,0	555,56
	2M 1500	1500	18±2,0	833,33
3M	3M 1500	1500	18±2,0	833,33
	3M 2250	2250	18±2,0	1.250,00
4M	4M 2000	2000	18±2,0	1.111,11
	4M 3000	3000	18±2,0	1.666,67



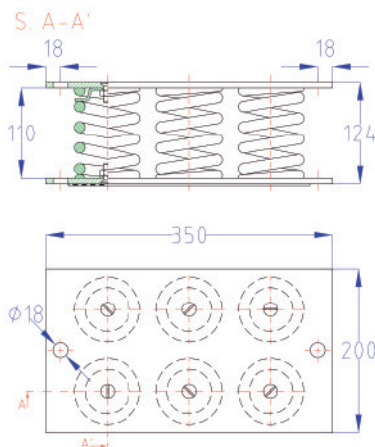
5M / 6M / 9M (2500 - 6750 kg.)

	REF / ART.NR	CARGA / LOAD CHARGE / LAST	FLECHA / DEFLECTION FLÈCHE / FEDERWEG	CONSTANTE / STIFFNESS RIGIDITE / STEIFIGKEIT
		kg.	mm.	kg./cm
5M	5M 2500	2500	18±2,0	1.388,89
	5M 3750	3750	18±2,0	2.083,33
6M	6M 3000	3000	18±2,0	1.666,67
	6M 4500	4500	18±2,0	2.500,00
9M	9M 4500	4500	18±2,0	2.500,00
	9M 6750	6750	18±2,0	3.750,00

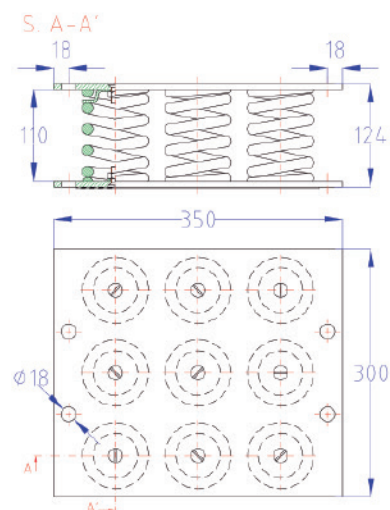
5M



6M

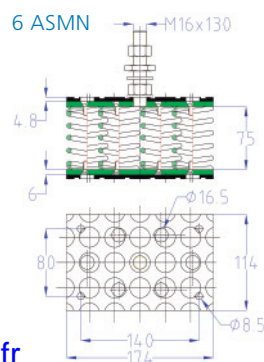
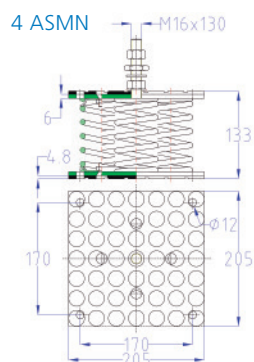


9M



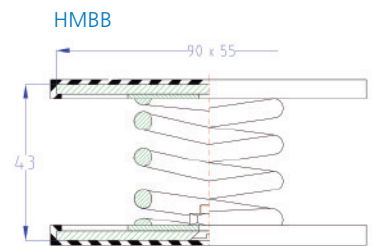
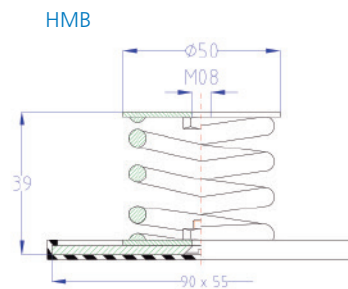
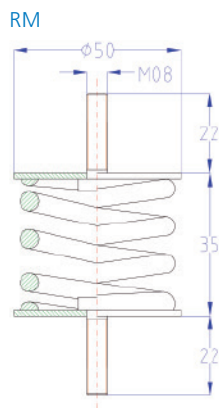
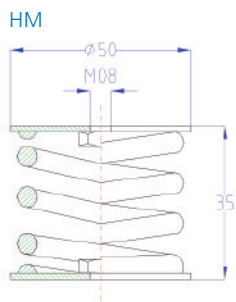
METÁLICOS / SPRINGS / RESSORTS / FEDERISOLATOREN 4 ASMN / 6 ASMN

	REF / ART.NR	CARGA / LOAD CHARGE / LAST	FLECHA / DEFLECTION FLÈCHE / FEDERWEG	CONSTANTE / STIFFNESS RIGIDITE / STEIFIGKEIT
		kg.	mm.	kg./cm
4 ASMN	4 ASMN 600	600	30±3,0	200,00
	4 ASMN 700	700	30±3,0	233,33
	4 ASMN 800	800	30±3,0	266,67
	4 ASMN 900	900	30±3,0	300,00
	4 ASMN 1000	1000	30±3,0	333,33
	4 ASMN 1100	1100	30±3,0	336,67
	4 ASMN 1200	1200	30±3,0	400,00
	4 ASMN 1300	1300	30±3,0	433,33
	4 ASMN 1400	1400	30±3,0	466,67
	4 ASMN 1500	1500	30±3,0	500,00
	4 ASMN 1600	1600	30±3,0	533,33
	4 ASMN 1700	1700	30±3,0	566,67
	4 ASMN 1800	1800	30±3,0	600,00
	4 ASMN 1900	1900	30±3,0	633,33
	4 ASMN 2000	2000	30±3,0	666,67
	4 ASMN 2100	2100	30±3,0	700,00
4 ASMN 2200	2200	30±3,0	733,33	
6 ASMN	6 ASMN 150	150	20±2,0	75,00
	6 ASMN 175	175	20±2,0	87,50
	6 ASMN 200	200	20±2,0	100,00
	6 ASMN 225	225	20±2,0	112,50
	6 ASMN 250	250	20±2,0	125,00
	6 ASMN 275	275	20±2,0	137,50
	6 ASMN 300	300	20±2,0	150,00
	6 ASMN 325	325	20±2,0	162,50
	6 ASMN 350	350	20±2,0	175,00
	6 ASMN 375	375	20±2,0	187,50
	6 ASMN 400	400	20±2,0	200,00
	6 ASMN 425	425	20±2,0	212,50
	6 ASMN 450	450	20±2,0	225,00
	6 ASMN 475	475	20±2,0	237,50
	6 ASMN 500	500	20±2,0	250,00
	6 ASMN 550	550	20±2,0	275,00
	6 ASMN 575	575	20±2,0	287,50
	6 ASMN 600	600	20±2,0	300,00
	6 ASMN 625	625	20±2,0	312,50
	6 ASMN 650	650	20±2,0	325,00
6 ASMN 675	675	20±2,0	337,50	
6 ASMN 700	700	20±2,0	350,00	
6 ASMN 725	725	20±2,0	362,50	
6 ASMN 750	750	20±2,0	375	



METÁLICOS / SPRINGS / RESSORTS / FEDERISOLATOREN HM / RM / HMB / HMBB

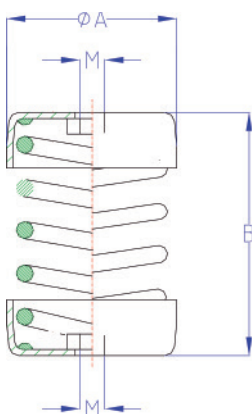
	REF / ART.NR	CARGA / LOAD CHARGE / LAST	FLECHA / DEFLECTION FLÈCHE / FEDERWEG	CONSTANTE / STIFFNESS RIGIDITE / STEIFIGKEIT
		kg.	mm.	kg./cm
HM	HM 05	5	7±1,0	7,14
	HM 10	10	7±1,0	14,29
	HM 20	20	7±1,0	28,57
	HM 30	30	7±1,0	42,86
	HM 40	40	7±1,0	57,14
	HM 50	50	7±1,0	71,43
RM	RM 05	5	7±1,0	7,14
	RM 10	10	7±1,0	14,29
	RM 20	20	7±1,0	28,57
	RM 30	30	7±1,0	42,86
	RM 40	40	7±1,0	57,14
	RM 50	50	7±1,0	71,43
HMB	HMB 05	5	7±1,0	7,14
	HMB 10	10	7±1,0	14,29
	HMB 20	20	7±1,0	28,57
	HMB 30	30	7±1,0	42,86
	HMB 40	40	7±1,0	57,14
	HMB 50	50	7±1,0	71,43
HMBB	HMBB 05	5	7±1,0	7,14
	HMBB 10	10	7±1,0	14,29
	HMBB 20	20	7±1,0	28,57
	HMBB 30	30	7±1,0	42,86
	HMBB 40	40	7±1,0	57,14
	HMBB 50	50	7±1,0	71,43



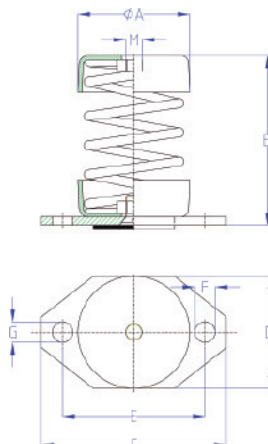
AISLADORES INOX/ STAINLESS STEEL ISOLATORS / ISOLATEURS INOX
 FEDERSCHWINGUNGSDÄMPFER AUS EDELSTAHL

	REF / ART.NR	DIMENSIONES / DIMENSIONS ABMESSUNGEN							COMPRESION / COMPRESSION DRUCKBELASTUNG		CONSTANTE / STIFFNESS RIGIDITE / STEIFIGKEIT	
		ØA	B	C	D	E	F	G	M	CARGA / LOAD CHARGE / LAST	FLECHA / DEFLECTION FLECHE / FEDERWEG	
	mm.							kg.	mm.	kg./cm		
MLC - INOX	MLC25 - INOX	55	79						8	25	24±2,0	10,42
	MLC50 - INOX	55	79						8	50	24±2,0	20,83
	MLC75 - INOX	55	79						8	75	24±2,0	31,25
	MLC100 - INOX	55	79						8	100	24±2,0	41,67
	MLC125 - INOX	55	79						8	125	24±2,0	52,08
	MLC150 - INOX	55	115						12	150	30±2,0	50,00
	MLC200 - INOX	73	115						12	200	30±2,0	66,67
	MLC250 - INOX	73	115						12	250	30±2,0	83,33
	MLC300 - INOX	73	115						12	300	30±2,0	100,00
	MLC350 - INOX	73	115						12	350	30±2,0	116,67
MLC - B - INOX	MLC25B - INOX	55	83	91	55	70	10	10	8	25	24±2,0	10,42
	MLC50B - INOX	55	83	91	55	70	10	10	8	50	24±2,0	20,83
	MLC75B - INOX	55	83	91	55	70	10	10	8	75	24±2,0	31,25
	MLC100B - INOX	55	83	91	55	70	10	10	8	100	24±2,0	41,67
	MLC125B - INOX	55	83	91	55	70	10	10	8	125	24±2,0	52,08
	MLC150B - INOX	55	116,5	110	75	91	13,8	10	12	150	30±2,0	50,00
	MLC200B - INOX	73	116,5	110	75	91	13,8	10	12	200	30±2,0	66,67
	MLC250B - INOX	73	116,5	110	75	91	13,8	10	12	250	30±2,0	83,33
	MLC300B - INOX	73	116,5	110	75	91	13,8	10	12	300	30±2,0	100,00
	MLC350B - INOX	73	116,5	110	75	91	13,8	10	12	350	30±2,0	116,67

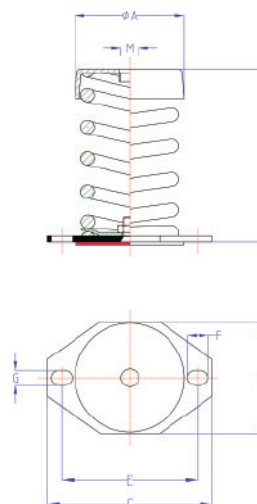
MLC-INOX



MLC-B-INOX 25-50-75-100-125



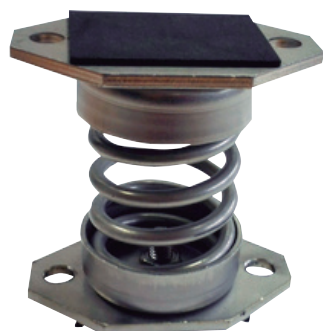
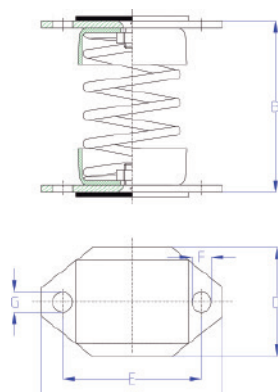
MLC-B-INOX 150-200-250-300-350



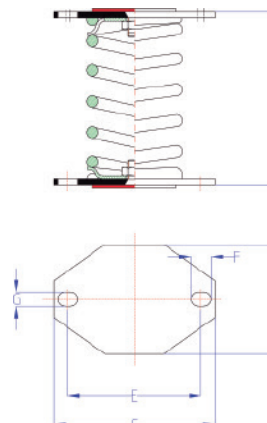
AISLADORES INOX/ STAINLESS STEEL ISOLATORS / ISOLATEURS INOX
 FEDERSCHWINGUNGSDÄMPFER AUS EDELSTAHL

MLC - BB - INOX	REF / ART.NR	DIMENSIONES / DIMENSIONS ABMESSUNGEN							COMPRESION / COMPRESSION DRUCKBELASTUNG		CONSTANTE / STIFFNESS RIGIDITE / STEIFIGKEIT	
		ØA	B	C	D	E	F	G	M	CARGA / LOAD CHARGE / LAST	FLECHA / DEFLECTION FLECHE / FEDERWEG	
		mm.							kg.	mm.	kg./cm	
	MLC25BB - INOX	87	91	55	70	10	10			25	24±2,0	10,42
	MLC50BB - INOX	87	91	55	70	10	10			50	24±2,0	20,83
	MLC75BB - INOX	87	91	55	70	10	10			75	24±2,0	31,25
	MLC100BB - INOX	87	91	55	70	10	10			100	24±2,0	41,67
	MLC125BB - INOX	87	91	55	70	10	10			125	24±2,0	52,08
	MLC150BB - INOX	118	110	75	91	13,8	10			150	30±2,0	50,00
	MLC200BB - INOX	118	110	75	91	13,8	10			200	30±2,0	66,67
	MLC250BB - INOX	118	110	75	91	13,8	10			250	30±2,0	83,33
	MLC300BB - INOX	118	110	75	91	13,8	10			300	30±2,0	100,00
	MLC350BB - INOX	118	110	75	91	13,8	10			350	30±2,0	116,67

MLC-BB-INOX 25-50-75-100-125



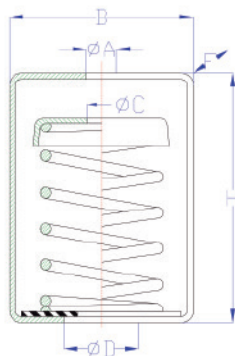
MLC-BB-INOX 150-200-250-300-350



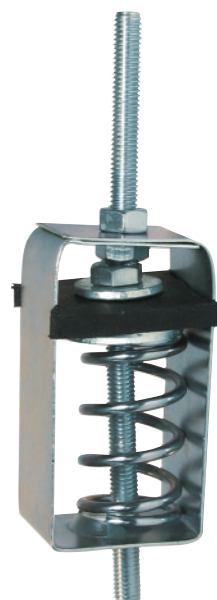
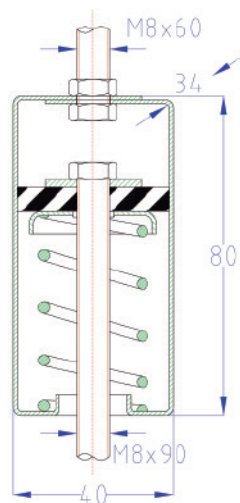
SUSTAINER TM / TV

	REF / ART.NR	DIMENSIONES / DIMENSIONS ABMESSUNGEN					COMPRESION / COMPRESSION DRUCKBELASTUNG		CONSTANTE / STIFFNESS RIGIDITE / STEIFIGKEIT	
		B	F	H	ØA	ØD	ØC	CARGA / LOAD CHARGE / LAST	FLECHA / DEFLECTION FLECHE / FEDERWEG	
	mm.					kg.	mm.	kg./cm		
TM	TM 25	75	55	100	12	30	11	25	24±3,0	10,42
	TM 50	75	55	100	12	30	11	50	24±3,0	20,83
	TM 75	75	55	100	12	30	11	75	24±3,0	31,25
	TM 100	75	55	100	12	30	11	100	24±3,0	41,67
	TM 125	75	55	100	12	30	11	125	24±3,0	52,08
	TM 150	120	75	155	16	30	14	150	35±4,0	42,86
	TM 200	120	75	155	16	30	14	200	35±4,0	57,14
	TM 250	120	75	155	16	30	14	250	35±4,0	71,43
	TM 350	120	75	155	16	30	14	350	35±4,0	100,00
	TM 450	120	75	155	16	30	14	450	35±4,0	128,57
TM 550	120	75	155	16	30	14	550	35±4,0	157,14	
TV	TV 10							10	30±3,0	3,33
	TV 20							20	20±2,0	10,00
	TV 30							30	20±2,0	15,00
	TV 40							40	20±2,0	20,00

Sustainer TM

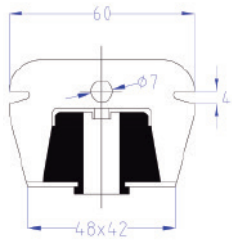


Sustainer TV

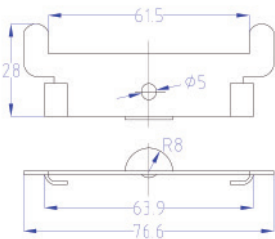


SUSTAINER TVAD-DS / TVA / TVAD10 / TVAR / TVAPL

TVAD



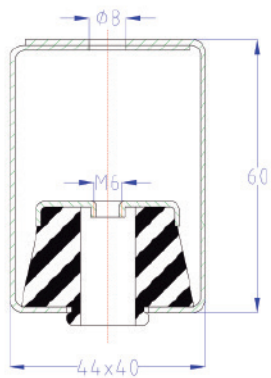
DS



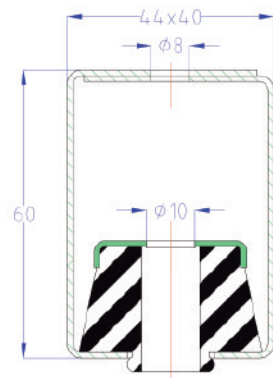
TVAD+DS

	REF / ART.NR	COMPRESSION / COMPRESSION DRUCKBELASTUNG			
		CARGA / LOAD CHARGE / LAST		FLECHA / DEFLECTION FLECHE / FEDERWEG	
		kg.		mm.	
TVA	TVA 40	8	25	1	3
	TVA 60	18	50	1	3
	TVA 75	25	75	1	3
TVAD10	TVA40 D10	8	25	1	3
	TVA60 D10	18	50	1	3
	TVA75 D10	25	75	1	3
TVAR	TVAR 40	8	25	1	3
	TVAR 60	18	50	1	3
	TVAR 75	25	75	1	3
TVAPL	TVAPL 40	8	25	1	3
	TVAPL 60	18	50	1	3
	TVAPL 75	25	75	1	3
TVAD	TVAD 40	8	25	1	3
	TVAD 60	18	50	1	3
	TVAD 75	25	75	1	3
	DS				

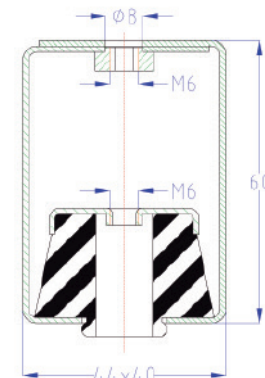
TVA



TVAD10



TVAR



TVAPL

