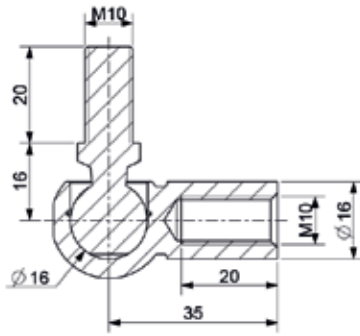
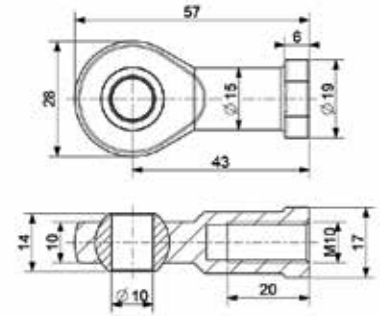


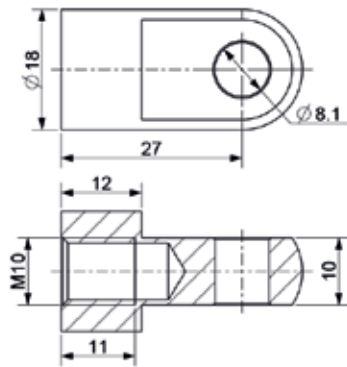
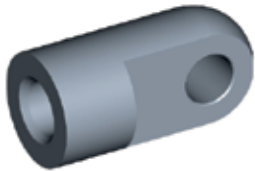
## ACCESSOIRES M10 STANDARDS



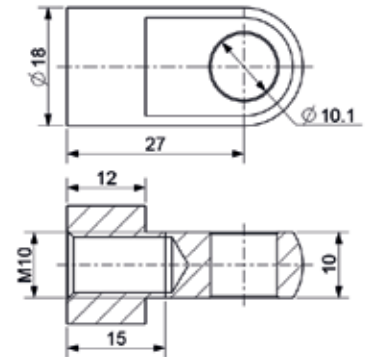
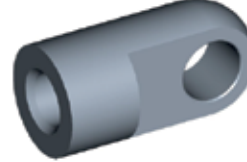
**REF ST 092262-10**  
ACIER ZINGUE



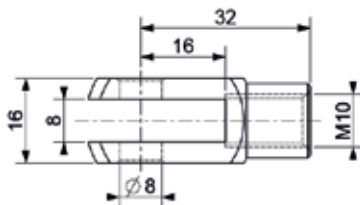
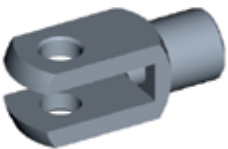
**REF ST Gi10**  
ACIER ZINGUE



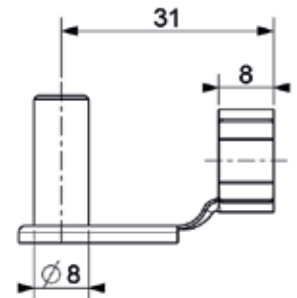
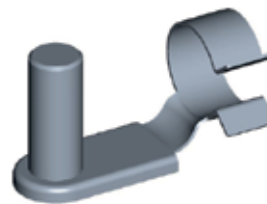
**REF HG CH10**  
ACIER ZINGUE



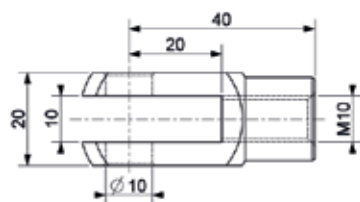
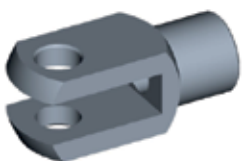
**REF HG CH10-10**  
ACIER ZINGUE



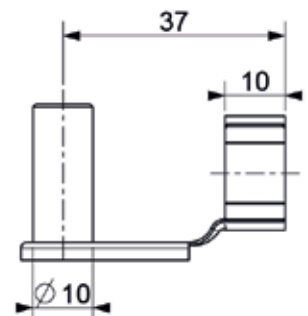
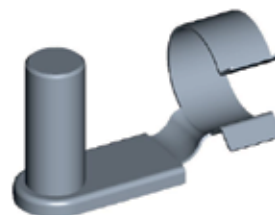
**REF ST F8M10**  
ACIER ZINGUE



**REF ST ES8**  
ACIER ZINGUE



**REF ST F10**  
ACIER ZINGUE



**REF ST ES10**  
ACIER ZINGUE