

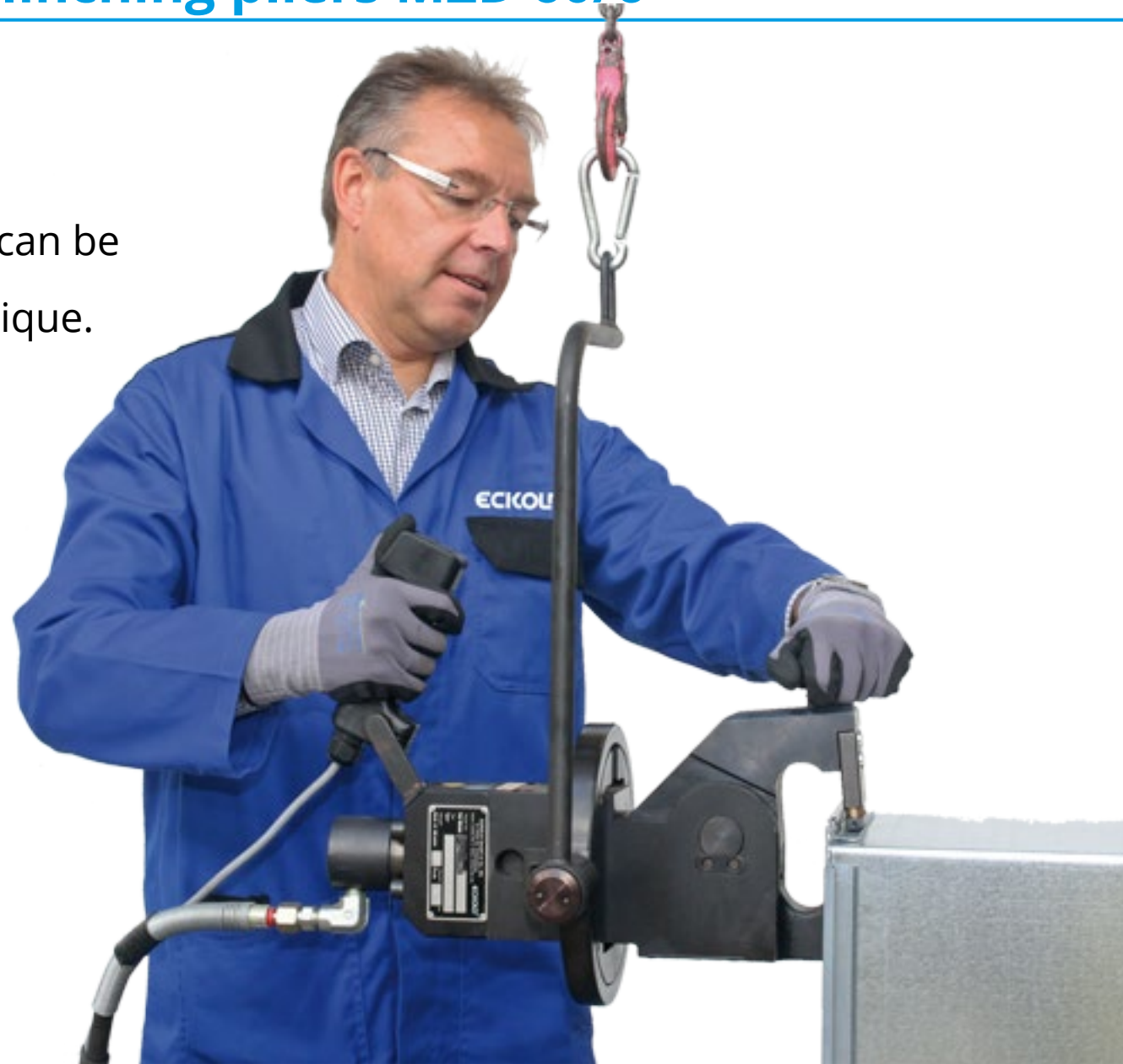
MZD 60/6  
MZD 60/6 D  
MZD 60/6 W  
MZD 60/6 D-W

## Portable clinching pliers MZD 60/6

### Application areas

All established 2-layer connections can be realised with Eckold clinching technique.

The mobile clinching pliers are perfectly suitable for setting joining elements on airduct cross sections in the climate and heating production, i. e. especially 3-layer connections joined with the clinching type S-DF up to a total thickness of 4 mm.

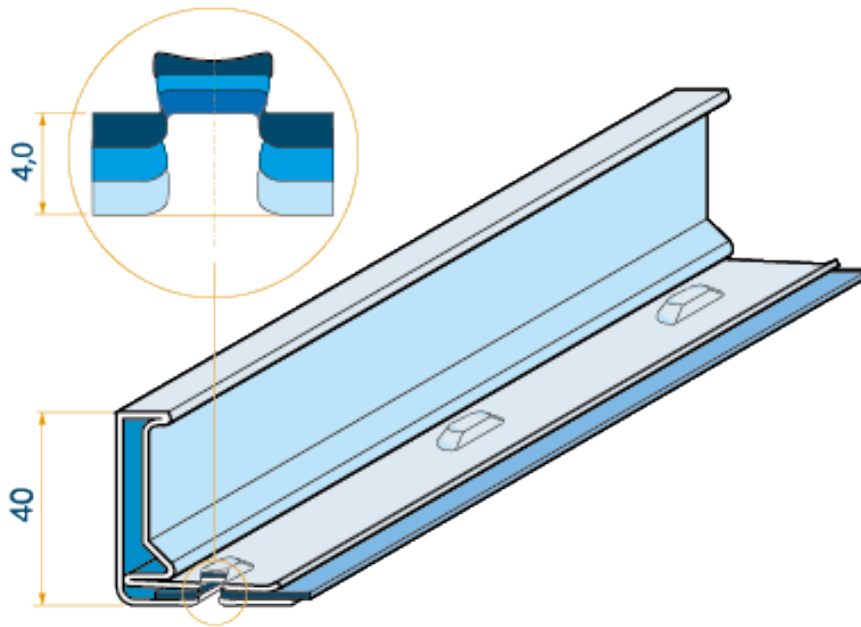


## Portable clinching pliers MZD 60/6

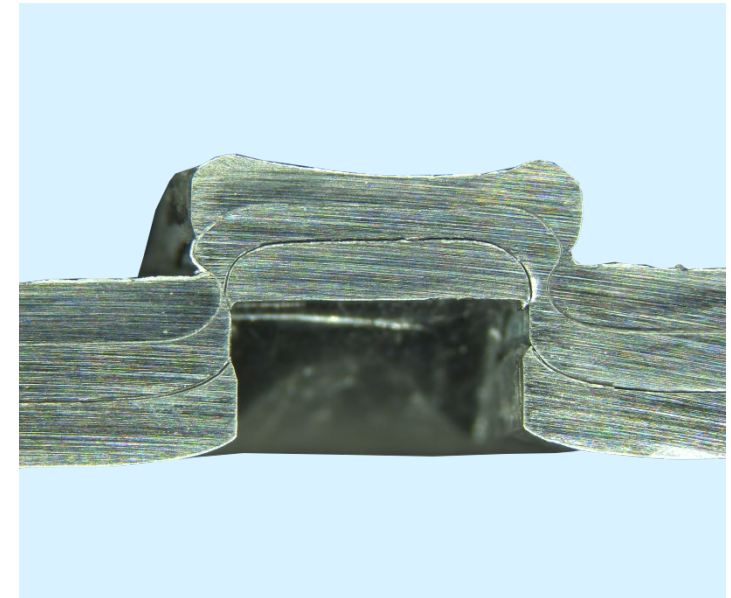
### Characteristics and advantages of the clinching technique

- no pre- or after-treatment
- no heat on the workpiece, no sparks
- no toxic gases or fumes
- suitable for painted or coated sheets, protective layer stays on
- no additional fasteners or other materials required
- suitable for sheets differing in thickness and material quality
- low energy consumption
- low-noise
- simple, and non-destructive quality control

## Portable clinching pliers MZD 60/6



airduct profile, 3-layer connection



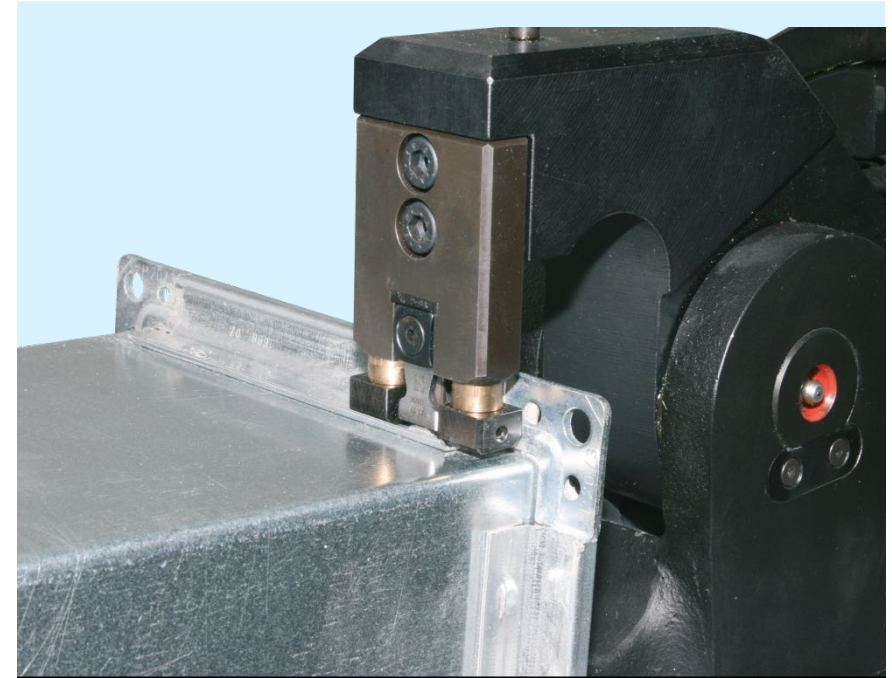
cross-section of a 3-layer connection, S-DF



## Portable clinching pliers MZD 60/6

### Characteristics and advantages

- manually guided machine in pliers' design
- universal use for all types of clinching
- changeable tool holders
- high pressure force (70 kN)
- large throat
- cardanic suspension device (sleuable by 360°)
- great repeating accuracy of the defined but adjustable stroke  
(only applies for MZD 60/ 6 W, MZD 60/6 D-W)
- higher life times of tools compared to pressure depending procedures (only applies for MZD 60/ 6 W, MZD 60/6 D-W)
- solid design, especially suitable for industrial continuous operation



## Portable clinching pliers MZD 60/6

### Hydraulic drive units



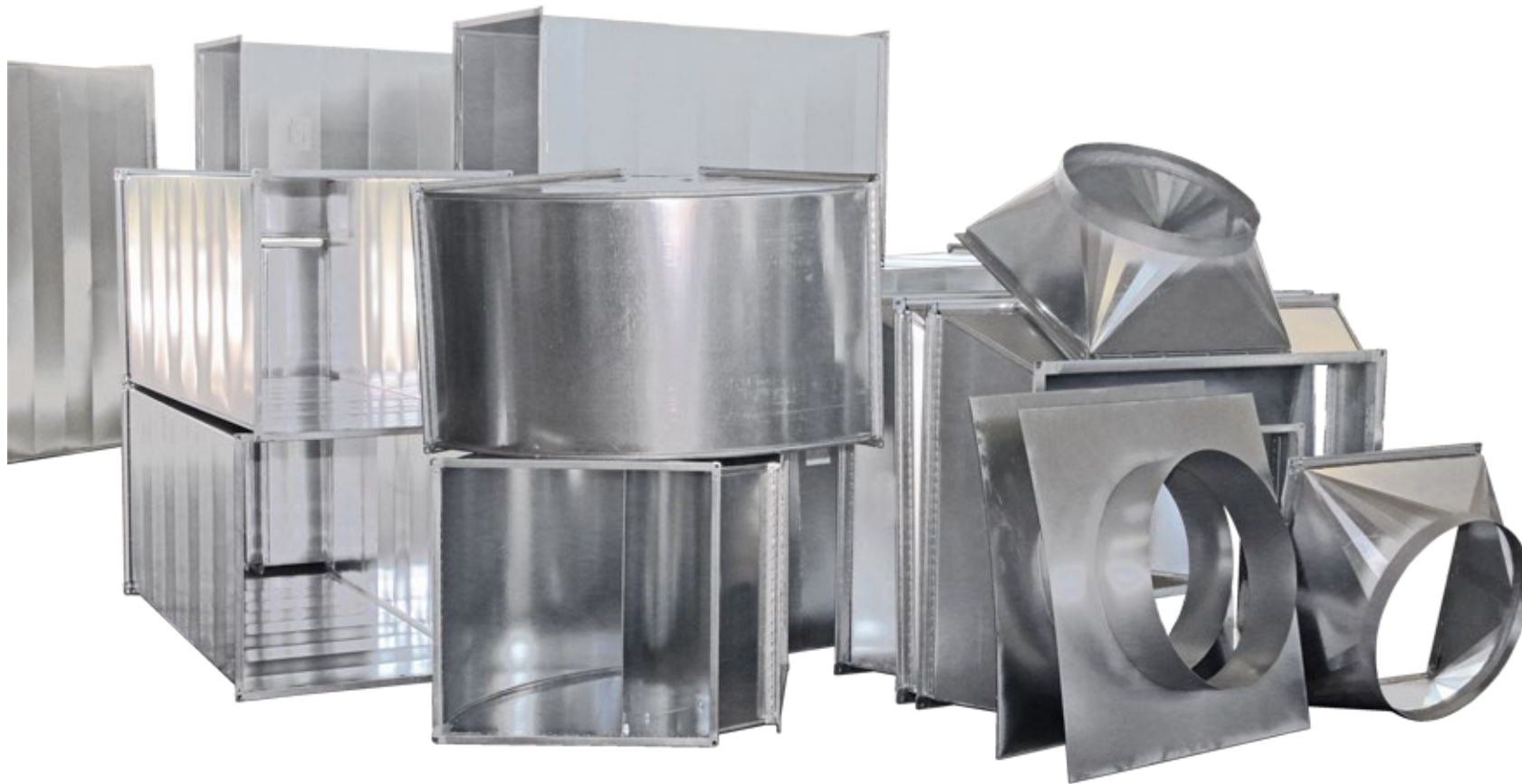
Hydraulic drive unit to be connected with  
MZD 60/6 and MZD 60/6 W · series HA 510



Hydraulic drive unit to be connected with MZD  
60/6 D and MZD 60/6 D-W · series HA 510 DS

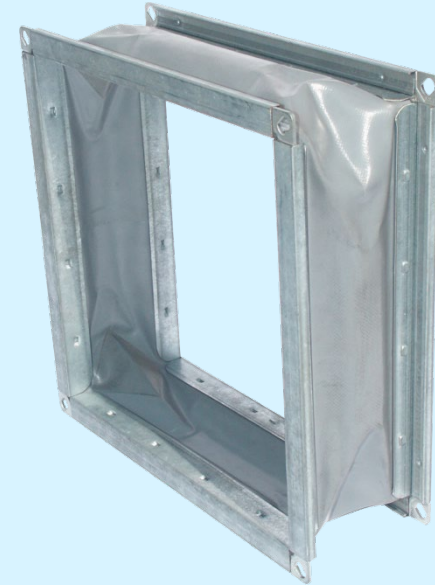
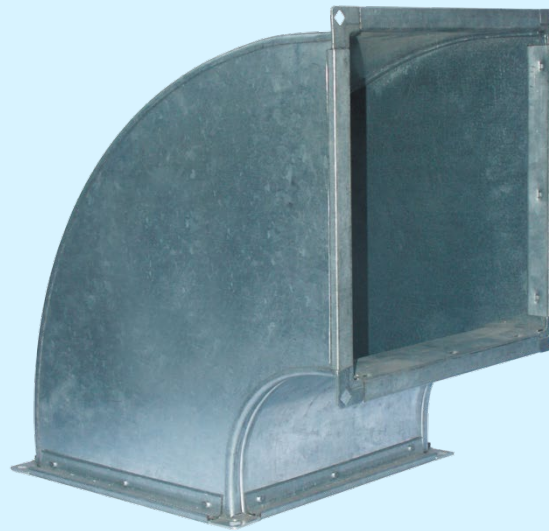
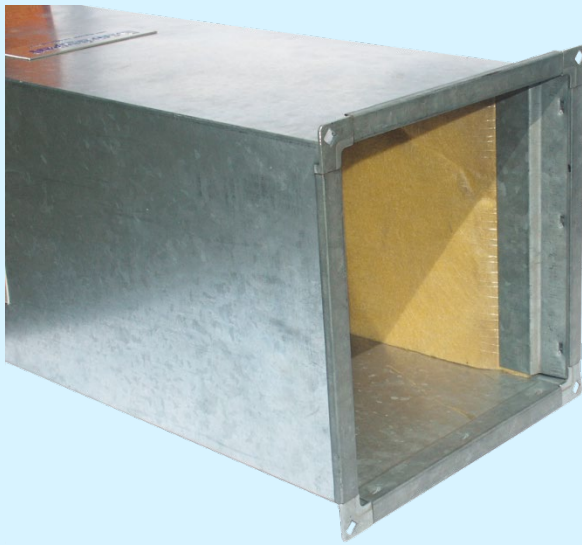
## Portable clinching pliers MZD 60/6

### Typical application areas



## Portable clinching pliers MZD 60/6

### Typical application areas



Other application areas are possible.



# Portable clinching pliers MZD 60/6

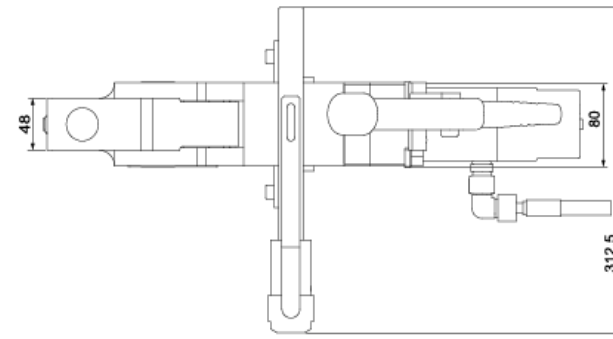
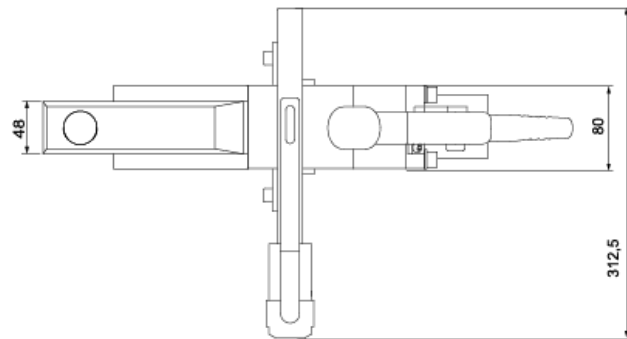
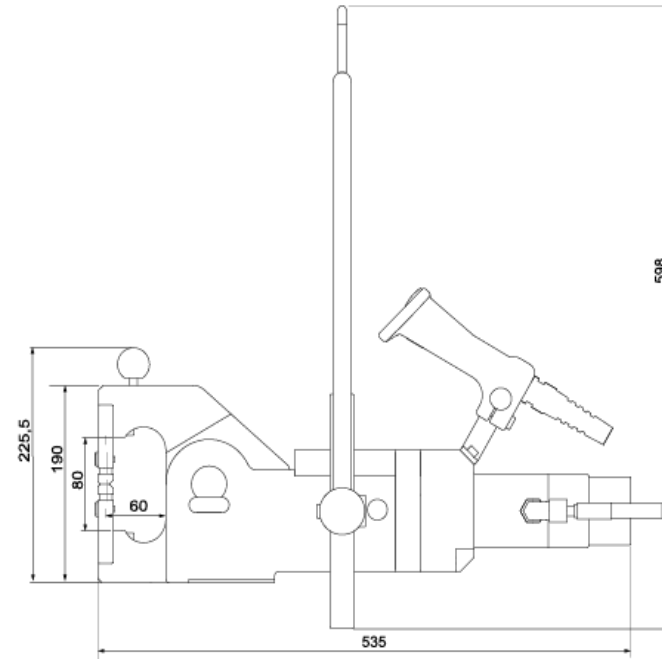
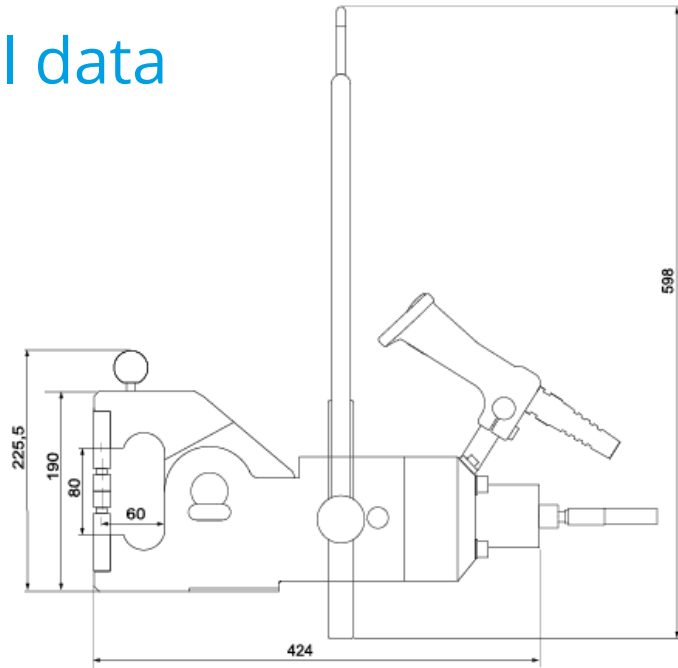
## Technical data

Type	MZD 60/6	MZD 60/6 D	MZD 60/6 W	MZD 60/6 D-W
stroke frequency	single stroke	single stroke	single stroke	single stroke
pressure force	60 kN at 500 bar	60 kN at 500 bar	70 kN at 500 bar	70 kN at 500 bar
working stroke	pressure dependent	pressure dependent	path dependent	path dependent
clamping stage	No	Yes	No	Yes
for hydraulic drive unit	HA 510	Ha 510 DS	HA 510	HA 510 DS
path limitation	No	No	Yes	Yes
provided for	S-DF	S-DF	S-DF · R-DF	S-DF · R-DF
max. total thickness m/s	S-DF = 4.0 mm	S-DF = 4.0 mm	S-DF = 4.0 mm* R-DF 6 = 3.0 mm* R-DF 8 = 4.0 mm* R-DF 10 = 4.0 mm*	S-DF = 4.0 mm* R-DF 6 = 3.0 mm* R-DF 8 = 4.0 mm* R-DF 10 = 4.0 mm*
throat horizontal	60 mm	60 mm	60 mm	60 mm
throat vertical	2 x 40 mm	2 x 40 mm	2 x 40 mm	2 x 40 mm
Gap	45 mm	45 mm	45 mm	45 mm
width working area	48 mm	48 mm	48 mm	48 mm
length/width/height	424 / 80 / 190 mm	424 / 80 / 190 mm	535 / 80 / 190 mm	535 / 80 / 190 mm
weight	34 kg	34 kg	36 kg	36 kg

\*Max. total thickness refers to steel or aluminium alloys with good forming properties, a total elongation  $A_{80} \geq 12\%$  and a yield ratio  $R_{p0,2} / R_m \leq 0,7$ ; e. g. steel: DC04 · DX56 · CR180BH or aluminium: AlMg3 · AlMg4,5Mn0,4 · AlMg0,4Si1,2(T4). Deviations from these sheet thickness combinations might be possible. For details, contact ECKOLD.

# Portable clinching pliers MZD 60/6

## Technical data



MZD 60/6 D

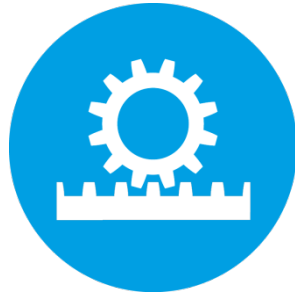
MZD 60/6 D-W

# Portable clinching pliers MZD 60/6

## Target sectors



Ventilation and  
ducting industry



General  
fabricators



Shelf and storage  
solutions



DISTRIBUTEUR EXCLUSIF EN FRANCE, ALGERIE, MAROC ET TUNISIE POUR :



6 Allée des Carrières  
Z.A.E Des Portes de la Forêt  
F-77090 COLLEGIEN

Tél. : +33 (0) 1 64 30 92 47  
Fax : +33 (0) 1 64 30 81 92  
Email : [info@eckotech.fr](mailto:info@eckotech.fr)  
Site internet : [www.eckotech.fr](http://www.eckotech.fr)

SARL au capital de 100 000 €  
SIRET : 350 241 378 00016  
Code APE : 4662Z - N° EORI : FR35024137800016  
N° d'identification européenne : FR 67 350 241 378