

SILENTBLOCS

AMORTISSEMENT—ANTIVIBRATIONS—ANTICHOCS—NIVELLEMENT



ECKO TECH

EDITION 2020

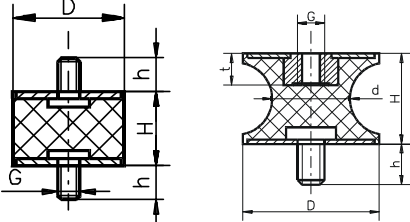
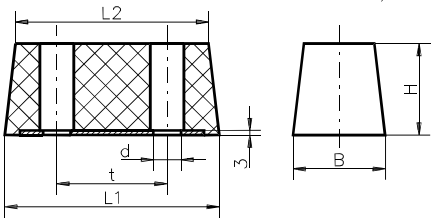
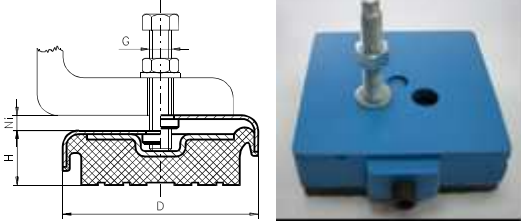


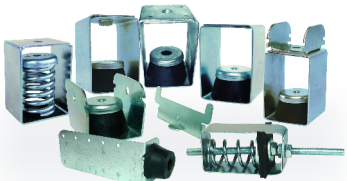
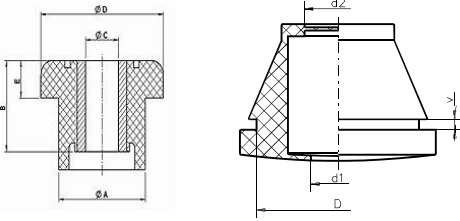
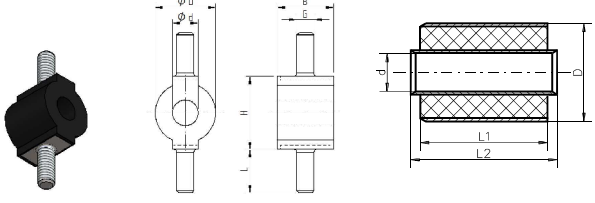


ECKO TECH propose une large gamme de produits techniques de haute qualité en caoutchouc (caoutchouc moulé, pièces caoutchouc / métal adhésives et joints profilés extrudés) : du pied de machine et de la cale de mise à niveau à la butée de porte, du passage guide de câble au support antivibratoire, du passage de tubes au tampon de camion...

Fabrication de véhicules, de machines, industrie domestique et lourde, bâtiment, industrie aéronautique, militaire, navale, ferroviaire, routière, minière... sont autant d'utilisateurs de nos produits.

Sélectionnez l'un de nos produits standards ou honorez-nous d'une demande spécifique. Nous nous attacherons à vous apporter une solution parmi nos matériaux NR (standard), SBR, NBR, EPDM, CR (néoprène) ou VMQ (silicone), acier galvanisé St37 (standard), inox 304 ou inox 316 avec un éventail de duretés de 25 à 90 Sh.

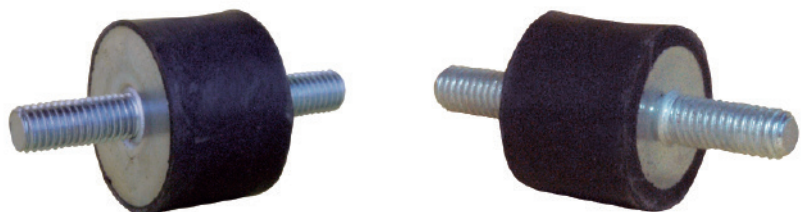
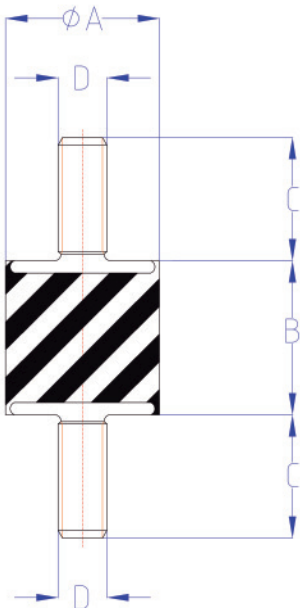
UNE TECHNOLOGIE EN MOUVEMENT

TABLE DES MATIERES

 <p>PLOTS STANDARDS (pages 4-17)</p>	 <p>BUTOIRS - BUTEES - TAMPONS (pages 10-25)</p>
 <p>PIEDS DE MACHINES - NIVELLEMENT (page 26-31)</p>	 <p>SUPPORTS ANTIVIBRATOIRES (page 32-37)</p>
 <p>RESSORTS ANTI VIBRATIONS (pages 38-50)</p>	 <p>SUSPENTES (pages 51-54)</p>
 <p>LIAISONS - PASSAGES ANTIBRUIT (page 55)</p>	 <p>ISOLATEURS - BAGUES (page 56)</p>
 <p>CAOUTCHOUC/METAL SANDWICH (pages 57-58)</p>	
 <p>TAPIS - PLAQUES CAOUTCHOUC (pages 59-60)</p>	
<p>CARACTERISTIQUES DES MATERIAUX (page 61)</p> <p>TOLERANCES SELON NORME DIN 7715</p>	

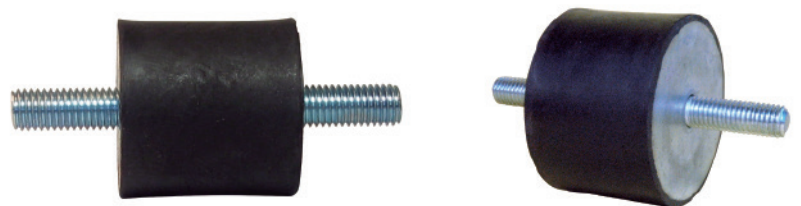
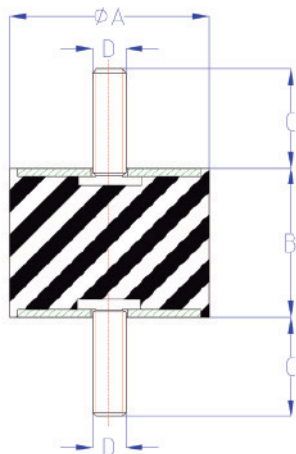
SR

SR	REF / ART.NR		DIMENSIONES / DIMENSIONS ABMESSUNGEN				COMPRESION / COMPRESSION DRUCKBELASTUNG		CIZALLA / SHEAR CISAILLEMENT / SCHERKRAFT	
		Sh	ØA	B	D	C	CARGA / LOAD CHARGE / LAST	FLECHA / DEFLECTION FLECHE / FEDERWEG	CARGA / LOAD CHARGE / LAST	FLECHA / DEFLECTION FLECHE / FEDERWEG
	mm.						kg.	mm.	kg.	mm.
SR 1215	60	12	15	M-05	10	15	3,0±0,5	1,5	2,0±0,5	
SR 1610	60	16	10	M-05	12	20	1,5±0,5	2	2,0±0,5	
SR 1615	60	16	15	M-05	12	15	2,5±0,5	2	3,0±0,5	
SR 1620	60	16	20	M-05	12	15	3,5±0,5	2	4,0±0,5	
SR 1625	60	16	25	M-05	12	15	4,5±1,0	2	5,0±1,0	
SR 2008	60	20	08	M-06	15	45	1,0±0,3	4,5	1,5±0,3	
SR 2015	60	20	15	M-06	15	35	3,0±0,5	3,5	3,0±0,5	
SR 2020	60	20	20	M-06	15	25	4,0±1,0	2,5	4,0±0,5	
SR 2025	60	20	25	M-06	15	25	5,0±1,0	2,5	5,0±1,0	
SR 2030	60	20	30	M-06	15	25	6,0±1,0	2,5	6,0±1,0	
SR 2510	50	25	10	M-08	20	80	2,0±0,5	8	2,0±0,5	
SR 2515	50	25	15	M-08	20	60	3,0±0,5	8	3,0±0,5	
SR 2520	50	25	20	M-08	20	45	4,0±0,5	8	4,0±0,5	
SR 2525	50	25	25	M-08	20	40	5,0±1,0	6	5,0±1,0	
SR 2530	50	25	30	M-08	20	40	6,0±1,0	5	6,0±1,0	
SR 2540	50	25	40	M-08	20	40	8,0±1,0	5	8,0±1,0	
SR 2822	50	28	22	M-08	20	60	5,0±1,0	11	5,0±1,0	
SR 3010	50	30	10	M-08	20	80	2,0±0,5	11	2,0±0,5	
SR 3015	50	30	15	M-08	20	80	3,0±0,5	11	3,0±0,5	
SR 3020	50	30	20	M-08	20	80	4,0±0,5	11	4,0±0,5	
SR 3030	50	30	30	M-08	20	60	6,0±1,0	11	6,0±1,0	
SR 3040	50	30	40	M-08	20	60	8,0±1,0	11	8,0±1,0	



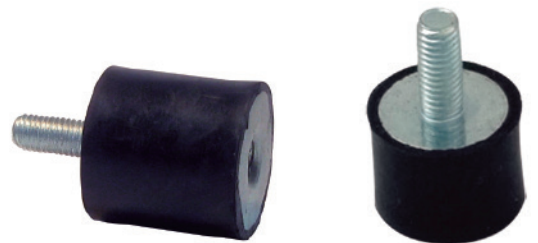
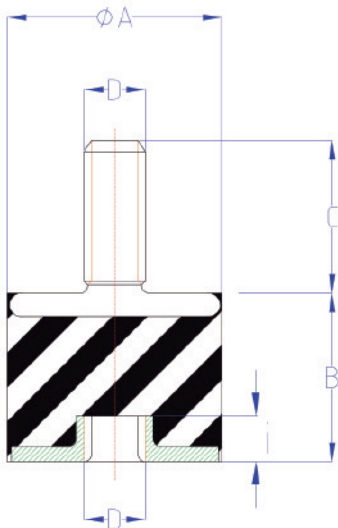
SR

SR	REF / ART.NR		DIMENSIONES / DIMENSIONS ABMESSUNGEN				COMPRESION / COMPRESSION DRUCKBELASTUNG		CIZALLA / SHEAR CISAILLEMENT / SCHERKRAFT	
		Sh	ØA	B	D	C	CARGA / LOAD CHARGE / LAST	FLECHA / DEFLECTION FLECHE / FEDERWEG	CARGA / LOAD CHARGE / LAST	FLECHA / DEFLECTION FLECHE / FEDERWEG
	mm.						kg.	mm.	kg.	mm.
SR 4020M8X20	50	40	20	M-08	20	160	4,0±0,5	20	4,0±0,5	
SR 4020	50	40	20	M-10	25	160	4,0±0,5	20	4,0±0,5	
SR 4028M8X30	50	40	28	M-08	30	100	5,5±1,0	16	5,5±1,0	
SR 4028M8X20	50	40	28	M-08	20	100	5,5±1,0	16	5,5±1,0	
SR 4028	50	40	28	M-10	25	100	5,5±1,0	16	5,5±1,0	
SR 4035	50	40	35	M-10	25	100	7,0±1,0	16	7,0±1,0	
SR 4040M8X20	50	40	40	M-08	20	100	8,0±1,0	16	8,0±1,0	
SR 4040	50	40	40	M-10	25	100	8,0±1,0	16	8,0±1,0	
SR 4045	50	40	45	M-10	25	100	9,0±1,0	16	9,0±1,0	
SR 5020	50	50	20	M-10	25	300	4,0±0,5	25	4,0±0,5	
SR 5025	50	50	25	M-10	25	175	5,0±1,0	25	5,0±1,0	
SR 5030	50	50	30	M-10	25	160	6,0±1,0	25	6,0±1,0	
SR 5035	50	50	35	M-10	25	160	7,0±1,0	25	7,0±1,0	
SR 5040	50	50	40	M-10	25	155	8,0±1,0	25	8,0±1,0	
SR 5045	50	50	45	M-10	25	150	9,0±1,0	25	9,0±1,0	
SR 5060	50	50	60	M-10	25	130	12,0±1,5	25	12,0±1,5	
SR 6025	50	60	25	M-10	25	400	5,0±1,0	35	5,0±1,0	
SR 6035	50	60	35	M-10	25	300	7,0±1,0	35	7,0±1,0	
SR 6045	50	60	45	M-10	25	250	9,0±1,0	35	9,0±1,0	
SR 6060	50	60	60	M-10	25	225	12,0±1,5	35	12,0±1,5	
SR 7035M10X25	50	70	35	M-10	25	450	7,0±1,0	55	7,0±1,0	
SR 7040M10X25	50	70	40	M-10	25	400	8,0±1,0	70	8,0±1,0	
SR 7050M10X25	50	70	50	M-10	25	300	10,0±1,0	35	10,0±1,0	
SR 7070M10X25	50	70	70	M-10	25	300	14,0±1,5	35	14,0±1,5	
SR 7035	50	70	35	M-12	33	450	7,0±1,0	55	7,0±1,0	
SR 7040	50	70	40	M-12	33	400	8,0±1,0	70	8,0±1,0	
SR 7050	50	70	50	M-12	33	300	10,0±1,0	35	10,0±1,0	
SR 7070	50	70	70	M-12	33	300	14,0±1,5	35	14,0±1,5	
SR 8030	50	80	30	M-14	35	950	6,0±1,0	100	6,0±1,0	
SR 8040	50	80	40	M-14	35	600	8,0±1,0	80	8,0±1,0	
SR 8055	50	80	55	M-14	35	500	11,0±1,5	70	11,0±1,5	
SR 9525	60	95	25	M-16	42	1800	5,0±1,0	80	5,0±1,0	
SR 9540	50	95	40	M-16	42	1000	8,0±1,0	140	8,0±1,0	
SR 15075	50	150	75	M-20	50	1800	15,0±2,0	275	15,0±2,0	



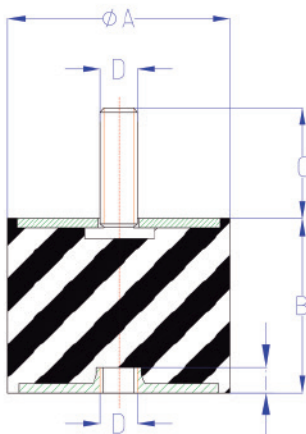
MR

MR	REF / ART.NR		DIMENSIONES / DIMENSIONS ABMESSUNGEN					COMPRESION / COMPRESSION DRUCKBELASTUNG		CIZALLA / SHEAR CISAILLEMENT / SCHERKRAFT	
		Sh	ØA	B	D	C	I	CARGA / LOAD CHARGE / LAST	FLECHA / DEFLECTION FLECHE / FEDERWEG	CARGA / LOAD CHARGE / LAST	FLECHA / DEFLECTION FLECHE / FEDERWEG
	mm.							kg.	mm.	kg.	mm.
	MR 1610	60	16	10	M-05	12	5	20	1,5±0,5	2	2,0±0,5
	MR 1615	60	16	15	M-05	12	5	15	2,5±0,5	2	3,0±0,5
	MR 1620	60	16	20	M-05	12	5	15	3,5±1,0	2	4,0±0,5
	MR 1625	60	16	25	M-05	12	5	15	4,5±1,0	2	5,0±0,5
	MR 2015	60	20	15	M-06	15	5	35	3,0±0,5	3,5	3,0±0,5
	MR 2020	60	20	20	M-06	15	5	30	4,0±1,0	2,5	4,0±0,5
	MR 2025	60	20	25	M-06	15	5	25	5,0±1,0	2,5	5,0±1,0
	MR 2030	60	20	30	M-06	15	5	25	6,0±1,0	2,5	6,0±1,0
	MR 2520	50	25	20	M-08	20	6	50	4,0±0,5	8	4,0±0,5
	MR 2525	50	25	25	M-08	20	6	45	5,0±1,0	6	5,0±1,0
	MR 2530	50	25	30	M-08	20	6	40	6,0±1,0	5	6,0±1,0
	MR 2540	50	25	40	M-08	20	6	40	8,0±1,0	5	8,0±1,0
	MR 2822	50	28	22	M-08	20	6	60	5,0±1,0	11	5,0±1,0
	MR 3015	50	30	15	M-08	20	6	80	3,0±0,5	11	3,0±0,5
	MR 3020	50	30	20	M-08	20	6	80	4,0±0,5	11	4,0±0,5
	MR 3030	50	30	30	M-08	20	6	60	6,0±1,0	11	6,0±1,0
	MR 3040	50	30	40	M-08	20	6	60	8,0±1,0	11	8,0±1,0



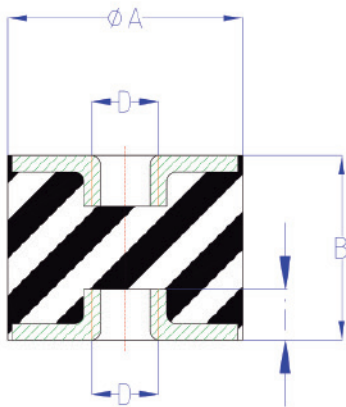
MR

MR	REF / ART.NR		DIMENSIONES / DIMENSIONS ABMESSUNGEN				COMPRESION / COMPRESSION DRUCKBELASTUNG		CIZALLA / SHEAR CISAILLEMENT / SCHERKRAFT		
		Sh	ØA	B	D	C	I	CARGA / LOAD CHARGE / LAST	FLECHA / DEFLECTION FLECHE / FEDERWEG	CARGA / LOAD CHARGE / LAST	FLECHA / DEFLECTION FLECHE / FEDERWEG
	mm.						kg.	mm.	kg.	mm.	
MR 4020M8X20	50	40	20	M-08	20	6	175	4,0±0,5	20	4,0±0,5	
MR 4020	50	40	20	M-10	25	7	175	4,0±0,5	20	4,0±0,5	
MR 4028M8X30	50	40	28	M-08	30	6	125	5,5±1,0	16	5,5±1,0	
MR 4028M8X20	50	40	28	M-08	20	6	125	5,5±1,0	16	5,5±1,0	
MR 4028	50	40	28	M-10	25	7	125	5,5±1,0	16	5,5±1,0	
MR 4035	50	40	35	M-10	25	7	100	7,0±1,0	16	7,0±1,0	
MR 4040M8X20	50	40	40	M-08	20	6	100	8,0±1,0	16	8,0±1,0	
MR 4040	50	40	40	M-10	25	7	100	8,0±1,0	16	8,0±1,0	
MR 4045	50	40	45	M-10	25	7	100	9,0±1,0	16	9,0±1,0	
MR 5020	50	50	20	M-10	25	7	300	4,0±0,5	25	4,0±0,5	
MR 5025	50	50	25	M-10	25	7	175	5,0±1,0	25	5,0±1,0	
MR 5030	50	50	30	M-10	25	7	160	6,0±1,0	25	6,0±1,0	
MR 5035	50	50	35	M-10	25	7	160	7,0±1,0	25	7,0±1,0	
MR 5040	50	50	40	M-10	25	7	155	8,0±1,0	25	8,0±1,0	
MR 5045	50	50	45	M-10	25	7	150	9,0±1,0	25	9,0±1,0	
MR 5060	50	50	60	M-10	25	7	130	12,0±1,5	25	12,0±1,5	
MR 6025	50	60	25	M-10	25	7	400	5,0±1,0	35	5,0±1,0	
MR 6035	50	60	35	M-10	25	7	300	7,0±1,0	35	7,0±1,0	
MR 6045	50	60	45	M-10	25	7	250	9,0±1,0	35	9,0±1,0	
MR 6060	50	60	60	M-10	25	7	225	12,0±1,5	35	12,0±1,5	
MR 7035M10X25	50	70	35	M-10	25	9	450	7,0±1,0	55	7,0±1,0	
MR 7040M10X25	50	70	40	M-10	25	9	400	8,0±1,0	70	8,0±1,0	
MR 7050M10X25	50	70	50	M-10	25	9	300	10,0±1,0	35	10,0±1,0	
MR 7070M10X25	50	70	70	M-10	25	9	300	14,0±1,5	35	14,0±1,5	
MR 7035	50	70	35	M-12	33	10	450	7,0±1,0	55	7,0±1,0	
MR 7040	50	70	40	M-12	33	10	400	8,0±1,0	70	8,0±1,0	
MR 7050	50	70	50	M-12	33	10	300	10,0±1,0	35	10,0±1,0	
MR 7070	50	70	70	M-12	33	10	300	14,0±1,5	35	14,0±1,5	
MR 7525	50	75	25	M-12	33	10	650	5,0±1,0	80	5,0±1,0	
MR 7555	50	75	55	M-12	33	10	400	11,0±1,0	75	11,0±1,5	
MR 8030	50	80	30	M-14	35	9	950	6,0±1,0	100	6,0±1,0	
MR 8040	50	80	40	M-14	35	9	600	8,0±1,0	80	8,0±1,0	
MR 8055	50	80	55	M-14	35	9	500	11,0±1,5	70	11,0±1,5	
MR 9540	50	95	40	M-16	42	14	1000	8,0±1,0	140	8,0±1,0	
MR 15075	50	150	75	M-20	50	20	1800	15,0±2,0	275	15,0±2,0	



HR

HR	REF / ART.NR		DIMENSIONES / DIMENSIONS ABMESSUNGEN				COMPRESION / COMPRESSION DRUCKBELASTUNG		CIZALLA / SHEAR CISAILLEMENT / SCHERKRAFT	
		Sh	ØA	B	D	l	CARGA / LOAD CHARGE / LAST	FLECHA / DEFLECTION FLECHE / FEDERWEG	CARGA / LOAD CHARGE / LAST	FLECHA / DEFLECTION FLECHE / FEDERWEG
	mm.						kg.	mm.	kg.	mm.
	HR 1615	60	16	15	M-05	5	15	2,5±0,5	2	2,0±0,5
	HR 1620	60	16	20	M-05	5	15	3,5±0,5	2	4,0±0,5
	HR 1625	60	16	25	M-05	5	15	4,5±1,0	2	5,0±1,0
	HR 2015	60	20	15	M-06	5	40	2,0±0,5	3,5	3,0±0,5
	HR 2020	60	20	20	M-06	5	30	4,0±1,0	2,5	4,0±0,5
	HR 2025	60	20	25	M-06	5	30	5,0±1,0	2,5	5,0±1,0
	HR 2030	60	20	30	M-06	5	25	6,0±1,0	2,5	6,0±1,0
	HR 2520	50	25	20	M-08	6	50	4,0±0,5	8	4,0±0,5
	HR 2525	50	25	25	M-08	6	45	5,0±1,0	6	5,0±1,0
	HR 2530	50	25	30	M-08	6	40	6,0±1,0	5	6,0±1,0
	HR 2540	50	25	40	M-08	6	40	8,0±1,0	5	8,0±1,0
	HR 2822	50	28	22	M-08	6	60	4,5±1,0	11	5,0±1,0
	HR 3020	50	30	20	M-08	6	80	4,0±0,5	11	4,0±0,5
	HR 3030	50	30	30	M-08	6	60	6,0±1,0	11	6,0±1,0
	HR 3330	60	30	30	M-08	6	80	6,0±1,0	16	6,0±1,0
	HR 3040	50	30	40	M-08	6	60	8,0±1,0	11	8,0±1,0



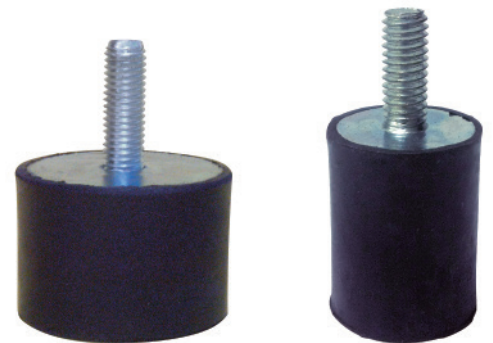
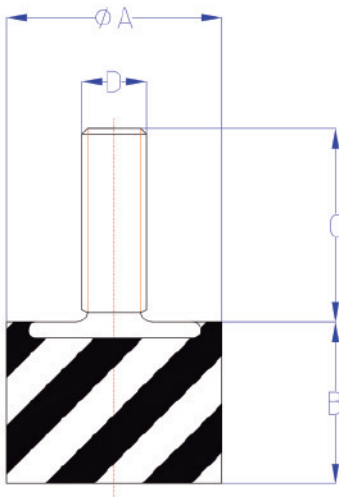
HR

REF / ART.NR	DIMENSIONES / DIMENSIONS ABMESSUNGEN					COMPRESION / COMPRESSION DRUCKBELASTUNG		CIZALLA / SHEAR CISAILLEMENT / SCHERKRAFT	
	Sh	ØA	B	D	l	CARGA / LOAD CHARGE / LAST	FLECHA / DEFLECTION FLECHE / FEDERWEG	CARGA / LOAD CHARGE / LAST	FLECHA / DEFLECTION FLECHE / FEDERWEG
		mm.					kg.	mm.	kg.
HR 4020	50	40	20	M-10	7	175	4,0±0,5	20	4,0±0,5
HR 4028M8	50	40	28	M-08	6	125	5,5±1,0	16	5,5±1,0
HR 4028	50	40	28	M-10	7	125	5,5±1,0	16	5,5±1,0
HR 3430	60	40	30	M-08	6	200	6,0±1,0	40	6,0±1,0
HR 4035	50	40	35	M-10	7	100	7,0±1,0	16	7,0±1,0
HR 4040M8	50	40	40	M-08	6	100	8,0±1,0	16	8,0±1,0
HR 4040	50	40	40	M-10	7	100	8,0±1,0	16	8,0±1,0
HR 4045M8	50	40	45	M-08	6	100	9,0±1,0	16	9,0±1,0
HR 4045	50	40	45	M-10	7	100	9,0±1,0	16	9,0±1,0
HR 5020	50	50	20	M-10	7	300	4,0±0,5	25	4,0±0,5
HR 5025	50	50	25	M-10	7	175	5,0±1,0	25	5,0±1,0
HR 5030	50	50	30	M-10	7	160	6,0±1,0	25	6,0±1,0
HR 5035	50	50	35	M-10	7	160	7,0±1,0	25	7,0±1,0
HR 5040	50	50	40	M-10	7	155	8,0±1,0	25	8,0±1,0
HR 5045	50	50	45	M-10	7	150	9,0±1,0	25	9,0±1,0
HR 5060	50	50	60	M-10	7	130	12,0±1,5	25	12,0±1,5
HR 6025	50	60	25	M-10	7	400	5,0±1,0	35	5,0±1,0
HR 6035	50	60	35	M-10	7	300	7,0±1,0	35	7,0±1,0
HR 6045	50	60	45	M-10	7	250	9,0±1,0	35	9,0±1,0
HR 6060	50	60	60	M-10	7	225	12,0±1,5	35	11,0±1,5
HR 7035M10	50	70	35	M-10	9	450	7,0±1,0	55	7,0±1,0
HR 7040M10	50	70	40	M-10	9	400	8,0±1,0	70	8,0±1,0
HR 7050M10	50	70	50	M-10	9	300	10,0±1,0	35	10,0±1,0
HR 7070M10	50	70	70	M-10	9	300	14,0±1,5	35	14,0±1,5
HR 7035	50	70	35	M-12	10	450	7,0±1,0	55	7,0±1,0
HR 7040	50	70	40	M-12	10	400	8,0±1,0	70	8,0±1,0
HR 7050	50	70	50	M-12	10	300	10,0±1,0	35	10,0±1,0
HR 7070	50	70	70	M-12	10	300	14,0±1,5	35	14,0±1,5
HR 8030	50	80	30	M-14	9	950	6,0±1,0	100	6,0±1,0
HR 8040	50	80	40	M-14	9	600	8,0±1,0	80	8,0±1,0
HR 8055	50	80	55	M-14	9	500	11,0±1,5	70	11,0±1,5
HR 9540	50	95	40	M-16	14	1000	8,0±1,0	140	8,0±1,0
HR 102D45	45	102	55	M-16	14	500	11,0±1,5	100	11,0±1,5
HR 102D60	60	102	55	M-16	14	1000	11,0±1,5	200	11,0±1,5
HR 102D75	75	102	55	M-16	14	2500	11,0±1,5	350	11,0±1,5
HR 15075	50	150	75	M-20	20	1800	15,0±2,0	275	15,0±2,0



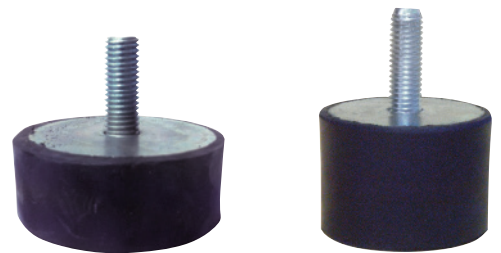
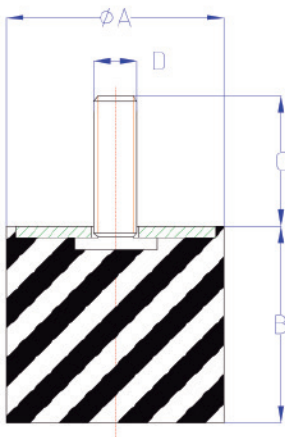
R

R	REF / ART.NR		DIMENSIONES / DIMENSIONS ABMESSUNGEN				COMPRESION / COMPRESSION DRUCKBELASTUNG	
		Sh	ØA	B	D	C	CARGA / LOAD CHARGE / LAST	FLECHA / DEFLECTION FLECHE / FEDERWEG
	mm.						kg.	mm.
	R 1215	60	12	15	M-05	10	15	3,0±0,5
	R 1610	60	16	10	M-05	12	20	1,5±0,5
	R 1615	60	16	15	M-05	12	15	2,5±0,5
	R 1620	60	16	20	M-05	12	15	3,5±0,5
	R 1625	60	16	25	M-05	12	15	4,5±1,0
	R 2008	60	20	08	M-06	15	45	1,6±0,5
	R 2015	60	20	15	M-06	15	35	3,0±0,5
	R 2020	60	20	20	M-06	15	25	4,0±1,0
	R 2025	60	20	25	M-06	15	25	5,0±1,0
	R 2030	60	20	30	M-06	15	25	6,0±1,0
	R 2510	50	25	10	M-08	20	50	2,0±0,5
	R 2515	50	25	15	M-08	20	40	3,0±0,5
	R 2520	50	25	20	M-08	20	40	4,0±0,5
	R 2525	50	25	25	M-08	20	40	5,0±1,0
	R 2530	50	25	30	M-08	20	40	6,0±1,0
	R 2540	50	25	40	M-08	20	40	8,0±1,0
	R 2822	50	28	22	M-08	20	60	5,0±1,0
	R 3010	50	30	10	M-08	20	80	2,0±0,5
	R 3015	50	30	15	M-08	20	80	3,0±0,5
	R 3020	50	30	20	M-08	20	80	4,0±0,5
	R 3030	50	30	30	M-08	20	60	6,0±1,0
	R 3040	50	30	40	M-08	20	60	8,0±1,0



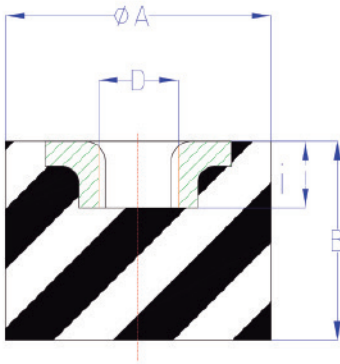
R

R	REF / ART.NR		DIMENSIONES / DIMENSIONS ABMESSUNGEN				COMPRESION / COMPRESSION DRUCKBELASTUNG	
	Sh	ØA	B	D	C	CARGA / LOAD CHARGE / LAST	FLECHA / DEFLECTION FLECHE / FEDERWEG	
	mm.					kg.	mm.	
	R 4020M8X20	50	40	20	M-08	20	140	4,0±0,5
	R 4020	50	40	20	M-10	25	140	4,0±0,5
	R 4028M8X20	50	40	28	M-08	20	100	5,5±1,0
	R 4028	50	40	28	M-10	25	100	5,5±1,0
	R 4035	50	40	35	M-10	25	100	7,0±1,0
	R 4040M8X20	50	40	40	M-08	20	100	8,0±1,0
	R 4040	50	40	40	M-10	25	100	8,0±1,0
	R 4045	50	40	45	M-10	25	90	9,0±1,0
	R 5020	50	50	20	M-10	25	300	4,0±0,5
	R 5025	50	50	25	M-10	25	175	5,0±1,0
	R 5030	50	50	30	M-10	25	160	6,0±1,0
	R 5035	50	50	35	M-10	25	160	7,0±1,0
	R 5040	50	50	40	M-10	25	155	8,0±1,0
	R 5045	50	50	45	M-10	25	150	9,0±1,0
	R 5060	50	50	60	M-10	25	130	12,0±1,5
	R 6025	50	60	25	M-10	25	400	5,0±1,0
	R 6035	50	60	35	M-10	25	300	7,0±1,0
	R 6045	50	60	45	M-10	25	250	9,0±1,0
	R 6060	50	60	60	M-10	25	225	12,0±1,5
	R 7035M10X25	50	70	35	M-10	25	450	7,0±1,0
	R 7040M10X25	50	70	40	M-10	25	400	8,0±1,0
	R 7050M10X25	50	70	50	M-10	25	300	10,0±1,0
	R 7070M10X25	50	70	70	M-10	25	300	14,0±1,5
	R 7035	50	70	35	M-12	33	450	7,0±1,0
	R 7040	50	70	40	M-12	33	400	8,0±1,0
	R 7050	50	70	50	M-12	33	300	10,0±1,0
	R 7070	50	70	70	M-12	33	300	14,0±1,5
	R 7525	50	75	25	M-12	33	650	5,0±1,0
	R 8030	50	80	30	M-14	35	950	6,0±1,0
	R 8040	50	80	40	M-14	35	600	8,0±1,0
	R 8055	50	80	55	M-14	35	500	11,0±1,5
	R 9525	60	95	25	M-16	42	1800	5,0±1,0
	R 9540	50	95	40	M-16	42	1000	8,0±1,0



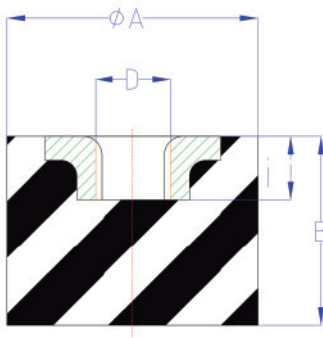
TH

TH	REF / ART.NR		DIMENSIONES / DIMENSIONS ABMESSUNGEN				COMPRESION / COMPRESSION DRUCKBELASTUNG	
		Sh	ØA	B	D	i	CARGA / LOAD CHARGE / LAST	FLECHA / DEFLECTION FLECHE / FEDERWEG
	mm.						kg.	mm.
TH 1610	60	16	10	M-05	5	20	1,5±0,5	
TH 1615	60	16	15	M-05	5	15	2,5±0,5	
TH 1620	60	16	20	M-05	5	15	3,5±1,0	
TH 1625	60	16	25	M-05	5	15	4,5±1,0	
TH 2008	60	20	08	M-06	5	45	1,6±0,5	
TH 2015	60	20	15	M-06	5	35	3,0±0,5	
TH 2020	60	20	20	M-06	5	25	4,0±1,0	
TH 2025	60	20	25	M-06	5	25	5,0±1,0	
TH 2030	60	20	30	M-06	5	25	6,0±1,0	
TH 2510	50	25	10	M-08	6	50	2,0±0,5	
TH 2515	50	25	15	M-08	6	40	3,0±0,5	
TH 2520	50	25	20	M-08	6	40	4,0±0,5	
TH 2525	50	25	25	M-08	6	40	5,0±1,0	
TH 2530	50	25	30	M-08	6	40	6,0±1,0	
TH 2540	50	25	40	M-08	6	40	8,0±1,0	
TH 2822	50	28	22	M-08	6	60	5,0±1,0	
TH 3010	50	30	10	M-08	6	80	2,0±0,5	
TH 3015	50	30	15	M-08	6	80	3,0±0,5	
TH 3020	50	30	20	M-08	6	80	4,0±0,5	
TH 3030	50	30	30	M-08	6	60	6,0±1,0	
TH 3040	50	30	40	M-08	6	60	8,0±1,0	



TH

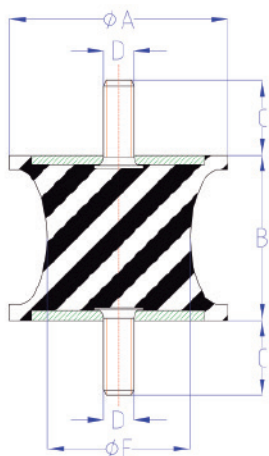
TH	REF / ART.NR		DIMENSIONES / DIMENSIONS ABMESSUNGEN				COMPRESION / COMPRESSION DRUCKBELASTUNG	
		Sh	ØA	B	D	i	CARGA / LOAD CHARGE / LAST	FLECHA / DEFLECTION FLECHE / FEDERWEG
			mm.				kg.	mm.
	TH 4020M8	50	40	20	M-08	6	140	4,0±0,5
	TH 4020	50	40	20	M-10	7	140	4,0±0,5
	TH 4028M8	50	40	28	M-08	6	100	5,5±1,0
	TH 4028	50	40	28	M-10	7	100	5,5±1,0
	TH 4035	50	40	35	M-10	7	100	7,0±1,0
	TH 4040M8	50	40	40	M-08	6	100	8,0±1,0
	TH 4040	50	40	40	M-10	7	100	8,0±1,0
	TH 4045	50	40	45	M-10	7	90	9,0±1,0
	TH 5020	50	50	20	M-10	7	300	4,0±0,5
	TH 5025	50	50	25	M-10	7	175	5,0±1,0
	TH 5030	50	50	30	M-10	7	160	6,0±1,0
	TH 5035	50	50	35	M-10	7	160	7,0±1,0
	TH 5040	50	50	40	M-10	7	155	8,0±1,0
	TH 5045	50	50	45	M-10	7	150	9,0±1,0
	TH 5060	50	50	60	M-10	7	130	12,0±1,5
	TH 6025	50	60	25	M-10	7	400	5,0±1,0
	TH 6035	50	60	35	M-10	7	300	7,0±1,0
	TH 6045	50	60	45	M-10	7	250	9,0±1,0
	TH 6060	50	60	60	M-10	7	225	12,0±1,5
	TH 7035M10	50	70	35	M-10	9	450	7,0±1,0
	TH 7040M10	50	70	40	M-10	9	400	8,0±1,0
	TH 7050M10	50	70	50	M-10	9	300	10,0±1,0
	TH 7070M10	50	70	70	M-10	9	300	14,0±1,5
	TH 7035	50	70	35	M-12	10	450	7,0±1,0
	TH 7040	50	70	40	M-12	10	400	8,0±1,0
	TH 7050	50	70	50	M-12	10	300	10,0±1,0
	TH 7070	50	70	70	M-12	10	300	14,0±1,5
	TH 8030	50	80	30	M-14	9	950	6,0±1,0
	TH 8040	50	80	40	M-14	9	600	8,0±1,0
	TH 8055	50	80	55	M-14	9	500	11,0±1,5
	TH 9525	60	95	25	M-16	14	1800	5,0±1,0
	TH 9540	50	95	40	M-16	14	1000	8,0±1,0



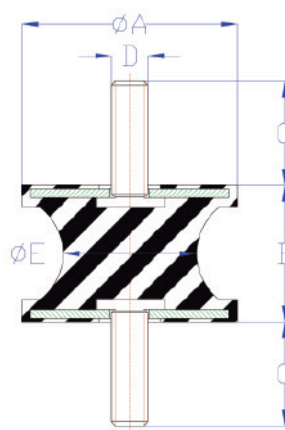
DIABOLOS

	REF / ART.NR		DIMENSIONES / DIMENSIONS ABMESSUNGEN						COMPRESION / COMPRESSION DRUCKBELASTUNG		CIZALLA / SHEAR CISAILLEMENT / SCHERKRAFT	
		Sh	ØA	B	ØE	D	C	I	CARGA / LOAD CHARGE / LAST	FLECHA / DEFLECTION FLECHE / FEDERWEG	CARGA / LOAD CHARGE / LAST	FLECHA / DEFLECTION FLECHE / FEDERWEG
	mm.								kg.	mm.	kg.	mm.
SR-N	SR 00-N	60	20	19	13	M-06	15		12	4,0±1,0	2	4,0±0,5
	SR 0NM8	50	40	28	20	M-08	30		40	5,5±1,0	7	5,5±1,0
	SR 0N	50	40	28	20	M-10	25		40	5,5±1,0	7	5,5±1,0
	SR 1N	50	58	44	24	M-08	20		70	8,5±1,0	10	8,5±1,0
	SR 2N	50	58	44	38	M-08	20		130	8,5±1,0	25	8,5±1,0
	SR 4N	50	60	60	48	M-10	25		150	10,0±1,0	20	12,0±1,5
	SR 5N	50	80	70	68	M-14	35		350	14,0±1,5	65	14,0±1,5
	SR 6N	50	95	76	76	M-16	42		450	15,0±2,0	75	15,0±2,0
	SR 7N	50	108	75	97	M-16	42		600	15,0±2,0	140	15,0±2,0
SR 8N	50	130	85	117	M-16	42		900	17,0±2,0	185	17,0±2,0	
T	3376	60	30	25	24	M-08	20		60	5,0±1,0	8	5,0±1,0
	3230	60	60	36	37	M-10	25		250	7,0±1,0	40	7,0±1,0
	3231	60	60	43	38	M-10	25		250	9,0±1,0	30	9,0±1,0
MR-N	MR 0NM8	50	40	28	20	M-08	30	6	40	5,5±1,0	7	5,5±1,0
	MR 0N	50	40	28	20	M-10	25	7	40	5,5±1,0	7	5,5±1,0
	MR 2N	50	57	44	38	M-08	25	6	130	8,5±1,0	25	8,5±1,0
	MR 4N	50	60	60	48	M-10	25	7	150	10,0±1,0	20	10,0±1,0
	MR 5N	50	80	70	68	M-14	35	9	350	14,0±1,5	65	14,0±1,5
	MR 6N	50	95	76	76	M-16	42	14	450	15,0±2,0	75	15,0±2,0
	MR 7N	50	108	75	97	M-16	42	14	600	15,0±2,0	140	15,0±2,0
	MR 8N	50	130	85	117	M-16	42	14	900	17,0±2,0	185	17,0±2,0

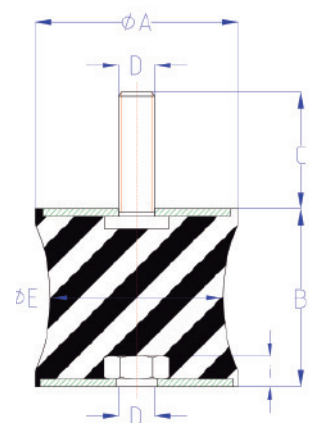
SR-N



T



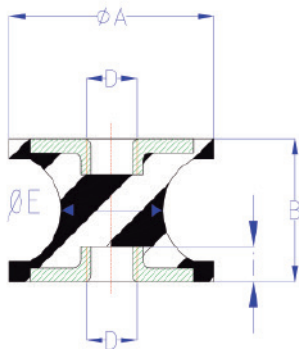
MR-N



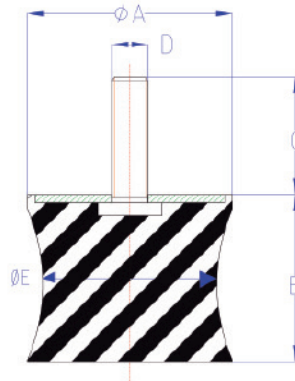
DIABOLOS

	REF / ART.NR		DIMENSIONES / DIMENSIONS ABMESSUNGEN					COMPRESION / COMPRESSION DRUCKBELASTUNG		CIZALLA / SHEAR CISAILLEMENT / SCHERKRAFT		
		Sh	ØA	B	ØE	D	C	I	CARGA / LOAD CHARGE / LAST	FLECHA / DEFLECTION FLECHE / FEDERWEG	CARGA / LOAD CHARGE / LAST	FLECHA / DEFLECTION FLECHE / FEDERWEG
	mm.								kg.	mm.	kg.	mm.
HR-N	HRONM8	50	40	28	20	M-08		6	40	5,5±1,0	7	5,5±1,0
	HR 0-N	50	40	28	20	M-10		7	40	5,5±1,0	7	5,5±1,0
	HR 2-N	50	57	44	38	M-08		6	130	8,5±1,0	25	8,5±1,0
	HR 4-N	50	60	60	48	M-10		7	150	10,0±1,0	20	12,0±1,0
	3617	60	70	58	52	M-12		10	350	11,0±1,0	70	11,0±1,0
	3356	60	80	65	72	M-12		8.5	600	13,0±1,5	120	13,0±1,5
	HR 5-N	50	80	70	68	M-14		9	350	14,0±1,5	65	14,0±1,5
	3866 RED	60	90	50	82	M-12		8.5	850	10,0±1,0	170	10,0±1,0
	3866	60	90	80	79	M-12		8.5	750	16,0±2,0	130	16,0±1,5
	HR 6-N	50	95	76	76	M-16		14	450	15,0±2,0	75	15,0±2,0
	3867	60	105	85	91	M-14		11	1200	17,0±2,0	240	17,0±2,0
	HR 7-N	50	108	75	97	M-16		14	600	15,0±2,0	140	15,0±2,0
	HR 8-N	50	130	85	117	M-16		14	900	17,0±2,0	185	17,0±2,0
3868	60	130	95	117	M-16		14	1800	19,0±2,0	320	19,0±2,0	
R-N	R 4-N	50	60	57	48	M-10	25		150	10,0±1,0		
	R 5-N	50	80	65	68	M-14	35		350	14,0±1,5		
	R 6-N	50	95	73	76	M-16	42		450	15,0±2,0		
TH-N	TH 4-N	50	60	58	48	M-10		7	150	10,0±1,0		
	TH 5-N	50	80	65	68	M-14		9	350	14,0±1,5		
	TH 6-N	50	95	73	76	M-16		14	450	15,0±2,0		

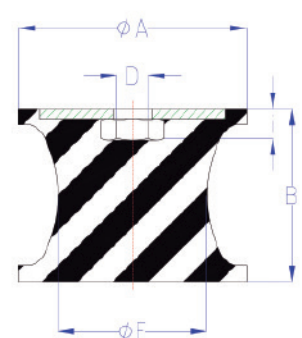
HR-N



R-N

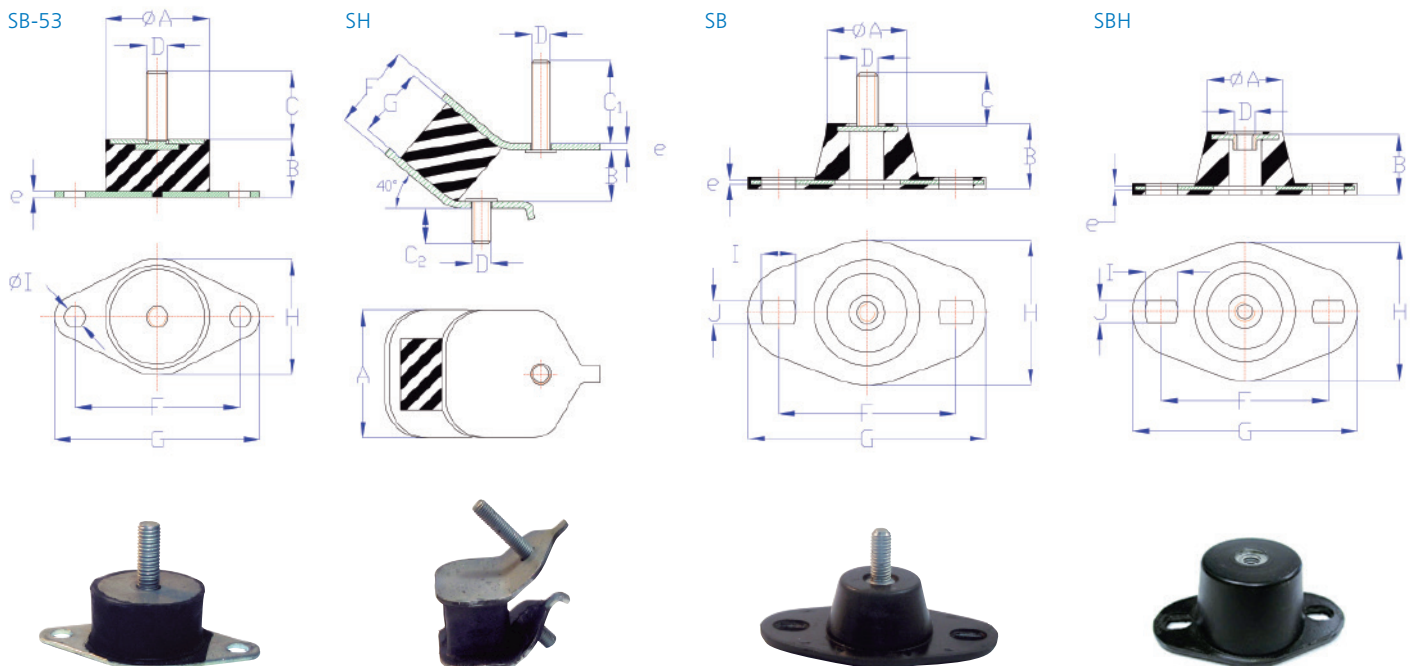


TH-N



SB53 / SH / SB / SBH

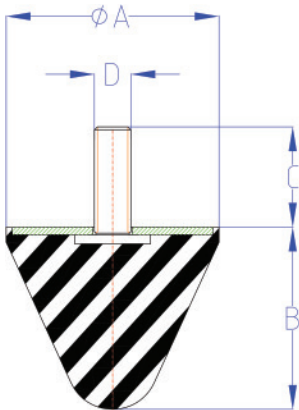
SB-53	REF / ART.NR	DIMENSIONES / DIMENSIONS ABMESSUNGEN										COMPRESION / COMPRESSION DRUCKBELASTUNG	
		ØA	B	D	C	e	F	G	H	I	J	CARGA / LOAD CHARGE / LAST	FLECHA / DEFLECTION FLECHE / FEDERWEG
		mm.										kg.	mm.
	SB53 NR45 SB53 NR60 SB53 NR75	58	32	M-12	33	3	92	115	65	12		200 500 1000	7,0±1,0 7,0±1,0 7,0±1,0
SH	REF / ART.NR	DIMENSIONES / DIMENSIONS ABMESSUNGEN										COMPRESION / COMPRESSION DRUCKBELASTUNG	
		A	B	D	C1	C2	e	α	F	G		CARGA / LOAD CHARGE / LAST	FLECHA / DEFLECTION FLECHE / FEDERWEG
		mm.										kg.	mm.
	SH53 NR45 SH53 NR60	54	21	M-08	35	15	3	40°	36	30		40 90	9,0±1,0
SB	REF / ART.NR	DIMENSIONES / DIMENSIONS ABMESSUNGEN										COMPRESION / COMPRESSION DRUCKBELASTUNG	
		ØA	B	D	C	e	F	G	H	I	J	CARGA / LOAD CHARGE / LAST	FLECHA / DEFLECTION FLECHE / FEDERWEG
		mm.										kg.	mm.
	SB35 NR45 SB35 NR60	30	25	M-08	20	1,5	67	90	55	13	9	50 100	4,5±1,0 4,5±1,0
	SB45 NR45 SB45 NR60	40	35	M-08	20	1,5	67	90	55	13	9	90 200	7,0±1,0 7,0±1,0
SBH	REF / ART.NR	DIMENSIONES / DIMENSIONS ABMESSUNGEN										COMPRESION / COMPRESSION DRUCKBELASTUNG	
		ØA	B	D	C	e	F	G	H	I	J	CARGA / LOAD CHARGE / LAST	FLECHA / DEFLECTION FLECHE / FEDERWEG
		mm.										kg.	mm.
	SBH35 NR45 SBH35 NR60	30	25	M-08		1,5	67	90	55	13	9	50 100	4,5±1,0 4,5±1,0
	SBH45 NR45 SBH45 NR60	40	35	M-08		1,5	67	90	55	13	9	90 200	7,0±1,0 7,0±1,0



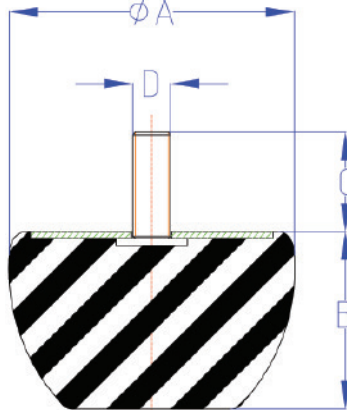
TP

	REF / ART.NR		DIMENSIONES / DIMENSIONS ABMESSUNGEN				COMPRESION / COMPRESSION DRUCKBELASTUNG		CHOQUE / SHOCK CHOC / STOSS	
		Sh	ØA	B	D	C	CARGA / LOAD CHARGE / LAST	FLECHA / DEFLECTION FLECHE / FEDERWEG	CARGA / LOAD CHARGE / LAST	FLECHA / DEFLECTION FLECHE / FEDERWEG
			mm.				kg.	mm	kg.	mm.
TP-1	TP 25	60	25	20	M-08	20	40	4,0±0,5	100	8,0±2,0
	TP 30	60	30	30	M-06	15	50	6,0±1,0	140	12,0±2,0
	TP 30M8X20	60	30	30	M-08	20	50	6,0±1,0	140	12,0±2,0
	TP 5050M8X20	60	50	50	M-08	20	90	10,0±1,5	335	20,0±3,0
	TP 5050M10	60	50	50	M-10	25	90	10,0±1,5	335	20,0±3,0
	TP 5058M8X20	60	50	58	M-08	20	90	12,0±2,0	370	23,0±3,0
	TP 5058M10	60	50	58	M-10	25	90	12,0±2,0	370	23,0±3,0
	TP 5065M8X20	60	50	65	M-08	20	90	13,0±2,0	370	26,0±4,0
	TP 5065M10	60	50	65	M-10	25	90	13,0±2,0	370	26,0±4,0
	TP70	60	70	60	M-12	33	160	12,0±2,0	550	24,0±3,0
TP95	60	95	80	M-16	42	350	16,0±2,0	1100	32,0±4,0	
TP-2	TP85	60	84	53	M-12	33	375	11,0±2,0	1250	21,0±2,5
	TP120	75	120	75	M-16	42	2000	15,0±2,0	4500	30,0±4,0
	TP220	60	220	136	M-24	80	3800	27,0±3,0	10000	54,0±6,0
	TP96	60	95	47	M-16	42	675	9,0±1,0	1600	19,0±2,0

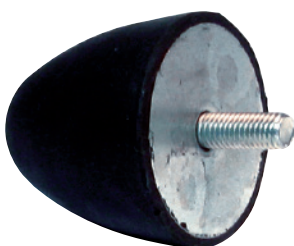
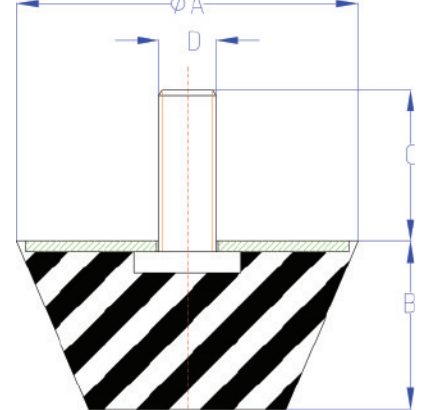
TP-1

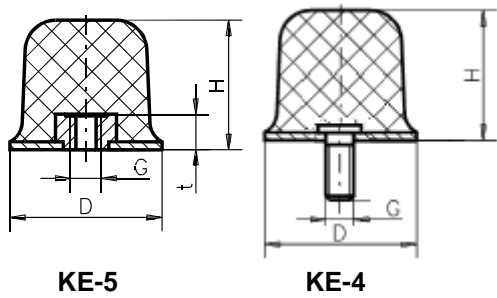


TP-2



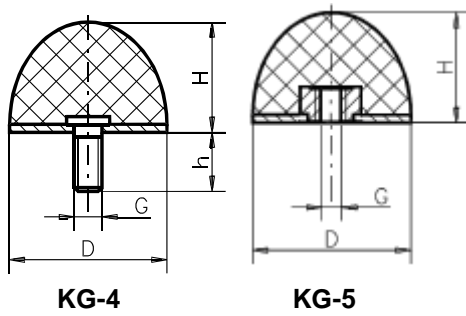
TP-96





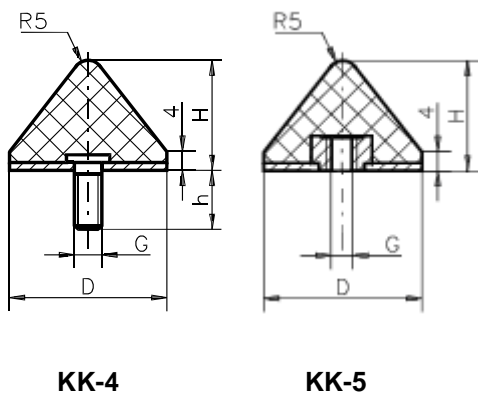
KE

Type	D	H	G	h
50/35	50	35	M10	10



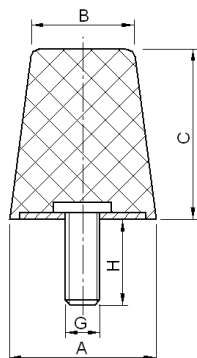
KG

D/H	D	H	G	h
25/13	25	13	M6	10
25/15	25	15	M6	18
30/26	30	26	M8	48



KK

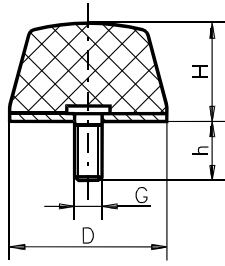
D/H	D	H	G	h
24/17	24	17	M8	20
25/16	25	16	M8	20
40/24	40	24	M8	28
50/28	50	28	M8	28
50/45	50	45	M10	35
60/45	60	45	M10	28
85/65	85	65	M12	37



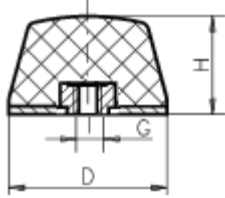
KH

Type	A	B	C	M Gxh
KH-1	43	30	50	M10x25
KH-2	43	30	35	M10x27
KH-3	38	30	35	M10x27
KH-4	63	57,5	50	M 10x31

KD

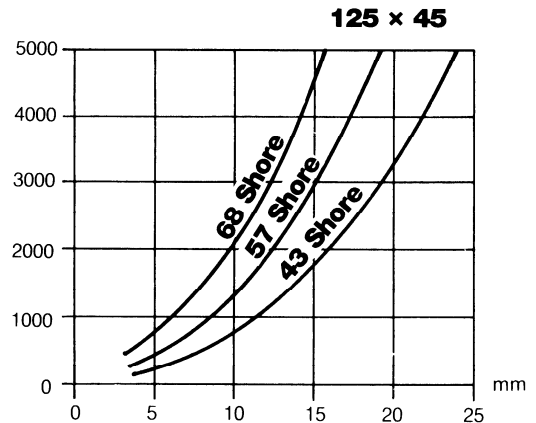
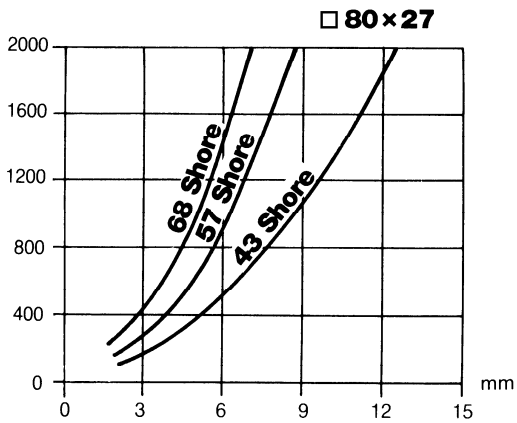
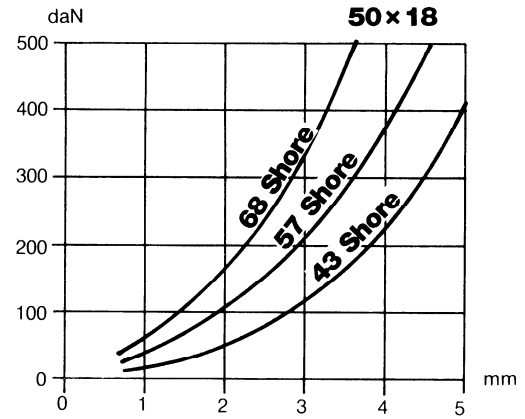
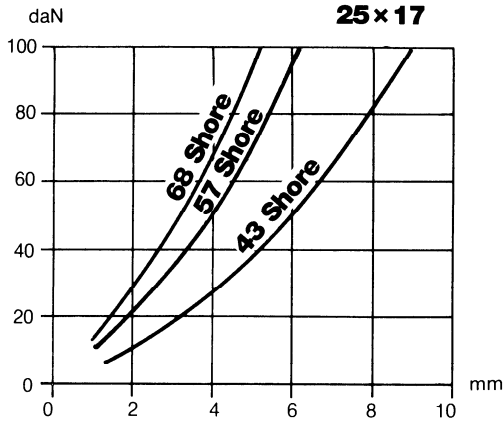


KD-4

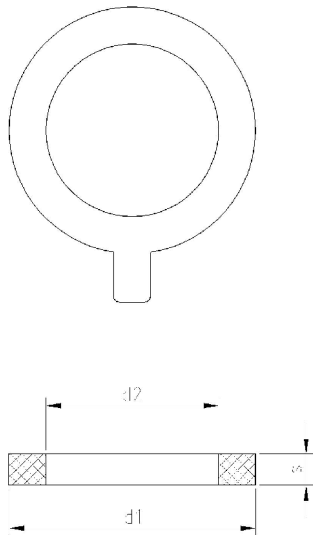


KD-5

D/H	D	H	G	H
12/12	12	12	M4	10
14/6,3	14	6,3	M4	4
25/12	25	12	M6	18
25/14	25	14	M4	10
25/17	25	17	M6	18
35/40 Sphère	35	40	M8	23
45/21	45	21	M8	46
50/18	50	18	M10	28
50/20 Carré	□50	20	M10	28
50/50	50	50	M10	28
80/27 Carré	□80	27	M12	37
125/45	125	45	M16	45

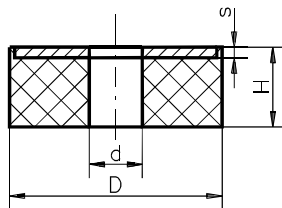


RONDELLES FREIN / BOLT-LOCK SEAL



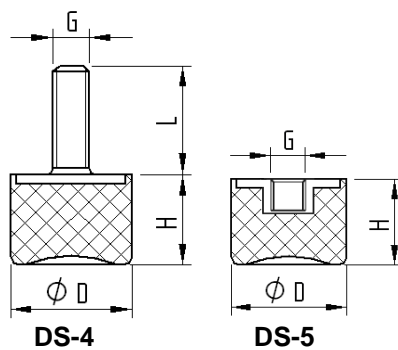
Type	d1	d2	S mm	DN(NA)
40/86	40	86	3	40
49/91,2	49	91,2	3	50
90/138	90	138	3	80
113/160	113	160	3	100
140/191	140	191	3	125
163/215	163	215	3	150
222/267	222	267	3	200
274/324	274	324	3	250
294/363	294	363	3	300
343/412	343	412	5,5	350
392/470	392	470	5,5	400
519/583	519	583	4	500
608/681	608	681	4,5	600

IS



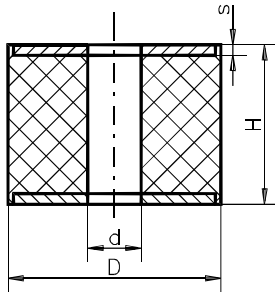
D/d-H	D	d	H	s
40/10-10	40	10	10	2
62/14-6	62	14	6	3
80/21-30	80	21	30	2
100/21-30	100	21	30	4
100/21-40	100	21	40	4
100/25-40	100	25	40	4
100/56-19	100	56	19	3
100/60-30	100	60	30	4
120/21-30	120	21	30	4
120/25-40	120	25	40	4
150/32-40	150	32	40	4

DS



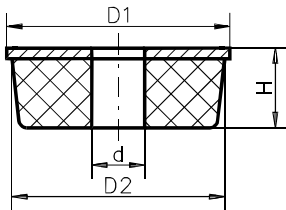
Type	D	H	G	h
15/14	15	14	M4	13
20/23,5	20	23,5	M6	18
25/18,5	25	18,5	M6	18
40/28	40	28	M8	10
50/28	50	28	M10	33
70/43	70	43	M10	28
75/37	75	37	M12	37

GH



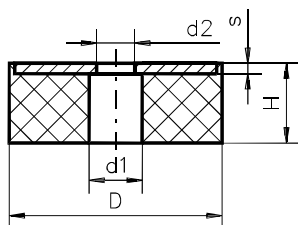
D/d-H	D	d	H	s
15/6-25	15	6	25	2
20/6-25	20	6	25	2
40/13-20	40	13	20	3
40/13-30	40	13	30	3
40/13-40	40	13	40	3
50/17-20	50	13	20	3
50/17-40	50	17	40	3
50/17-50	50	17	50	3
50/21-15	50	21	15	3
50/21-30	50	21	30	3
60/21-50	60	21	50	4
75/25-55	75	25	55	3
80/21-30	80	21	30	3
100/21-40	100	21	40	4
100/31-40	100	31	40	4
100/33-75	100	33	75	5
120/41-40	120	41	40	5
120/51-40	120	51	40	5
150/51-100	150	51	100	6
200/32-100	200	32	100	8
200/61-100	200	61	100	8

RB



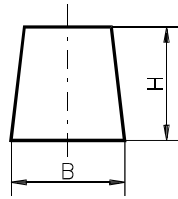
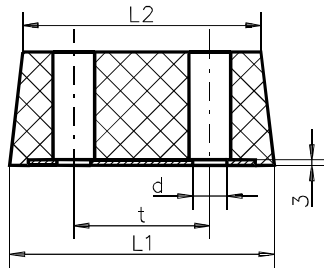
Type	D1	D2	d	H
1	42	40	18	23
2	62	60	21	33
3	72	70	21	33
4	82	80	25	40
5	102	100	32	54
6	122	120	38	46

GK

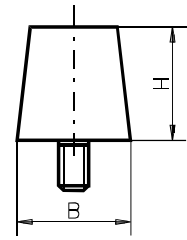
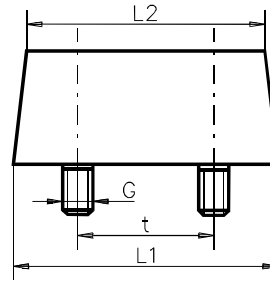


D/H	D	H	d1	d2	s
30/16	30	16	16	9	3
40/16	40	16	16	9	3
40/20	40	20	17	9	3
50/16	50	16	20	11	3
50/20	50	20	22	11	3
60/18	60	18	25	25	3
60/20	60	20	25	11	4
75/25	75	25	30	13	6
80/20	80	20	32	13	4
100/25	100	25	40	13	6
100/30	100	30	60	33	6
125/25	125	25	50	17	6

RP-OG



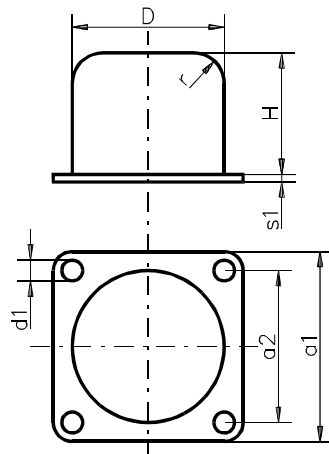
RP-2G



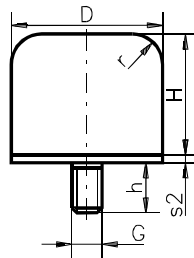
Type	L1	L2	B	H	t	G	d
150	150	136	60	60	70	M10x32	11
200	200	168	100	100	90	M12x36	13

TAMPONS ANTICHOCS / BUTOIRS

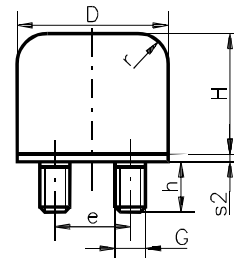
GP-QP



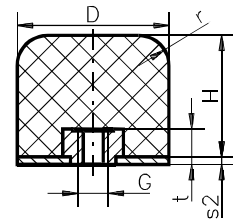
GP-1G



GP-2G

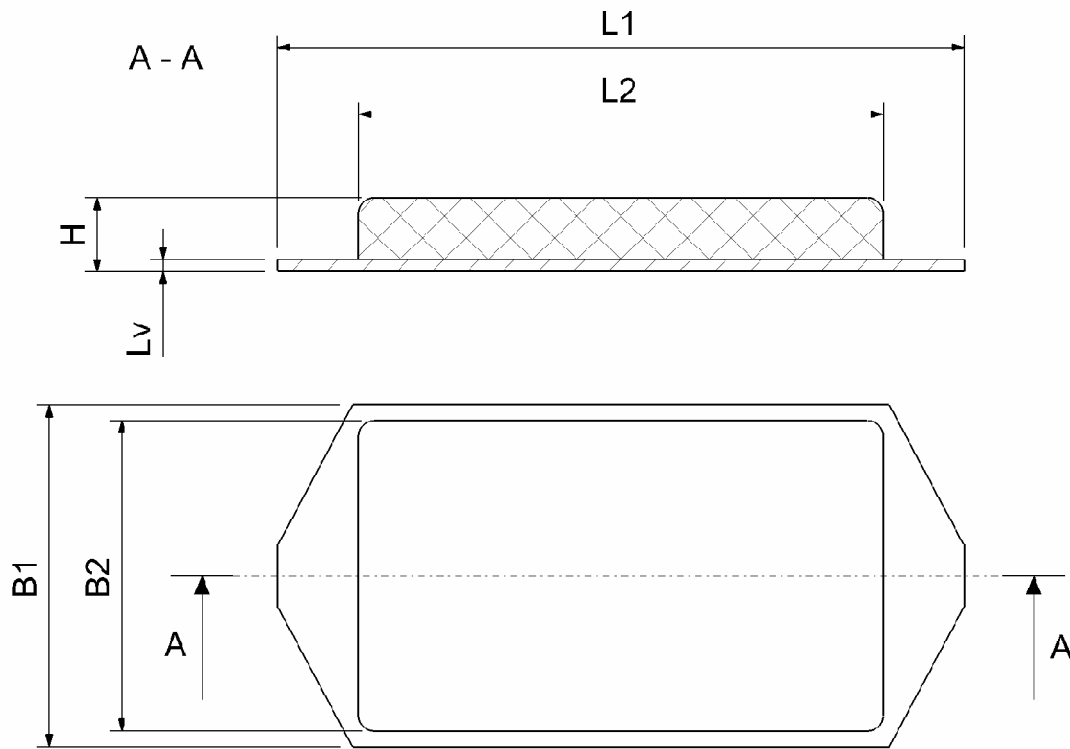


GP-1I



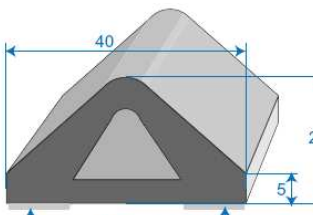
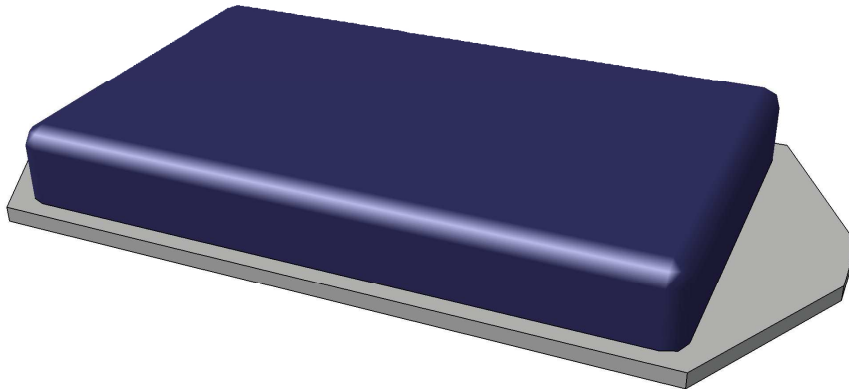
Type	D mm	H mm	Measurement										Load capacity		
			a1 mm	a2 mm	d mm	G mm	e mm	h mm	r mm	s1 mm	s2 mm	t mm	f mm	F kN	W J
40x32	40	32	50	40	5,5	M8	-	23	8	2	2	8	18	15	70
50x40	50	40	63	50	6,5	M10	-	28	10	3	2	10	22	24	140
63x50	63	50	80	63	6,5	M10	-	28	12,5	4	3	10	28	37,5	280
80x63	80	63	100	80	9	M12	-	37	18	5	3	12	35	60	560
100x80	100	80	125	100	9	M12	50	36	20	6	4	12	44	95	1120
125x100	125	100	160	125	11	M16	63	36	25	6	4	16	55	150	2240
160x125	160	125	200	160	11	M16	80	44	32	8	6	16	68	240	4400
200x160	200	160	250	200	13	M20	100	44	40	8	6	18	38	375	8800

KN - PARE-CHOCS



	L1	L2	B1	B2	H	Lv
KN-1	148	100	98	98	20	4
KN-2	208	160	98	98	20	4
KN-3	600	550	105	95	20	4

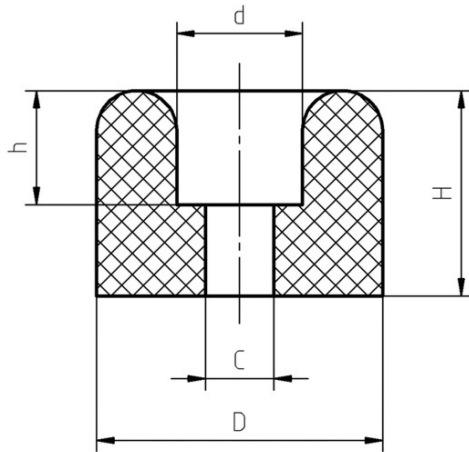
Pièce à percer, nous consulter pour un perçage réalisé en usine.



PROFILS BUTOIR EPDM (rouleau 20 mètres)

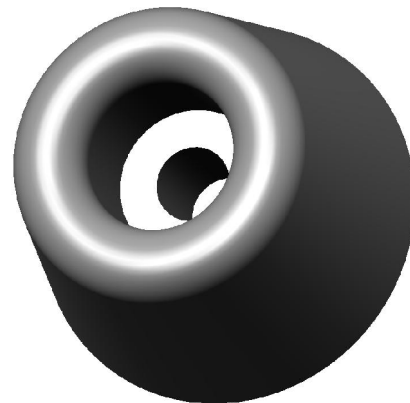
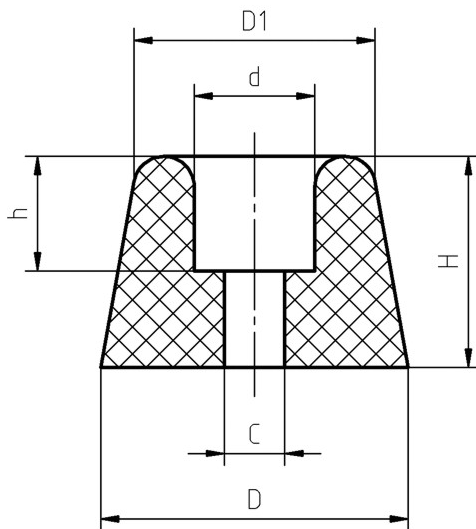
- 482 – Noir adhésivé
- 398 – Noir non adhésivé
- 610 – Blanc non adhésivé
- 611 – Gris non adhésivé

DBH - BUTEES DE PORTE

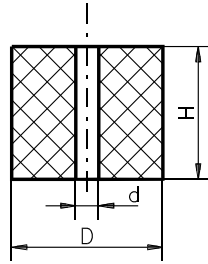


D/H	D	H	C	d	h
26/29	26	29	5	10	4
28/25	28	25	6	14	15
30/32	30	32	6	13	20
40/25	40	25	6	18	15
40/25	40	25	7	20	8
40/31	40	31	6	18	21
40/35	40	35	7	20	8
40/46	40	46	6	16	32

DBF - BUTEES DE PORTE



D/H	D	H	D1	C	d	h
20/10	20	10	16	5	8	6
25/10	25	10	20	4,5	7	6

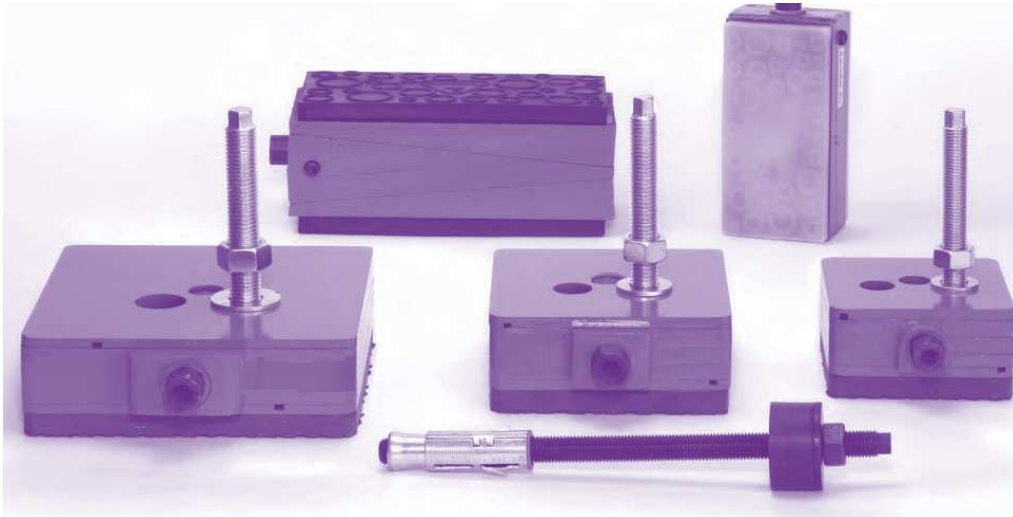
GP - TAMPONS CAOUTCHOUC CREUX

D/d-H	D	d	H
8/3-3	8,5	3,2	3,5
13/6,5-12	13	6,5	12
17,5/9-16	17,5	9	16
19/13-19	19	13	19
20/8,5-15	20	8,5	15
25/8-25	25	8,5	25
25/10,5-15	25	10,5	0,25
25/10,5-25	25	10,5	15
28/10,5-50	28	10,5	50
28/8-16	28	8	16
30/16-40	30	16	40
32/13-32	32	13,5	32
40/0,9-30	40	0,9	30
40/12-25	40	12	25
40/12-35	40	12	35
40/12-65	40	12	65
40/13-30	40	13	30
40/13,5-32	40	13,5	32
40/13-40	40	13,5	40
40/13-50	40	13,5	50
40/13,5-40	40	13,5	40
40/17-30	40	17	30
47/20-50	47	20	50
48/17-100	48	17	100
50/17-25	50	17	25
50/17-40	50	17	40
50/10-45	50	10	45
50/14-80	50	14	80
50/17-32	50	17	32
50/17-50	50	17	50
50/17-63	50	17	63
50/17-80	50	17	80
58/17-100	58	17	100
50/20-38	50	20	38
50/24-50	50	24	50

D/d-H	D	d	H
50/24,8-50	50	24,8	50
53/32,5-100	53	32,5	100
60/20-40	60	20	40
70/40-40	70	40	40
75/18-40	75	18	40
80/15-50	80	15	50
80/20-27	80	20	27
80/20-40	80	20	40
80/21-30	80	21	30
80/25-40	80	25	40
80/25-82	80	25	82
80/30-35	80	30	35
80/40-30	80	40	30
80/21-100	80	21	100
90/30-45	90	30	45
100/21-40	100	21	40
100/25-40	100	25	40
100/25-70	100	25	70
100/26-40	100	26	40
100/30-35	100	30	35
100/33-40	100	33	40
100/33-75	100	33	75
100/40-70	100	40	70
100/70-40	100	70	40
120/25-40	120	25	40
120/40-40	120	40	40
120/50-40	120	50	40
125/35-125	125	35	125
125/50-125	125	50	125
150/51-100	150	51	100
150/45-180	150	45	180
160/33-160	160	33	160
200/61-100	200	61	100
200/33-200	200	33	200
250/60-200	250	60	200

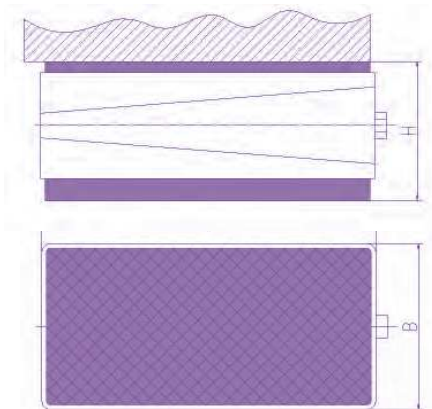
CALES DE NIVELLEMENT

Mise à niveau très précise - Faible couple de nivellement – Scellement au sol possible



C				
Ref	L	B	H	Charge kg
2C85	150	75	63±5	900
3C85	200	100	69±5	1.500
4C85	200	200	71±6	3.200
5C85	200	250	93±9	4.000
6C85	250	320	98±9	6.400
7C85	300	400	98±10	9.600

Le + produit : montage libre machine posée.



CH (posée au sol)- CHH (ancrée au sol)							
Ref	L	B	H	d	e	Filetage	Charge kg
1CH85 – 1CHH85	115	115	59±4	50	24	M16	1.100
2CH85 – 2CHH85	150	150	64±5	60	23	M18	1.800
3CH85 – 3CHH85	200	200	63±6	75	27	M20	3.200
4CH85 – 4CHH85	200	250	85±9	95	27	M20	4.000
5CH85 – 5CHH85	250	320	90±9	125	55	M24	6.400
6CH85 – 6CHH85	300	400	90±10	150	50	M24	9.600

Le + produit : montage boulonné au bâti de la machine – modèle CHH pour scellement au sol (fig.3).

Fig.1

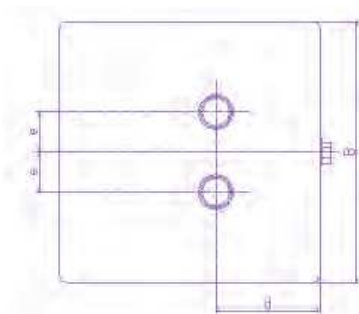


Fig.2

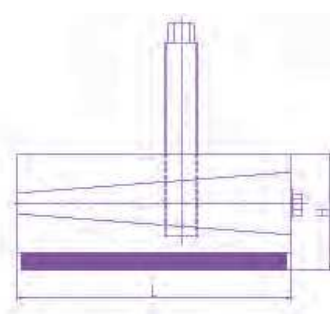
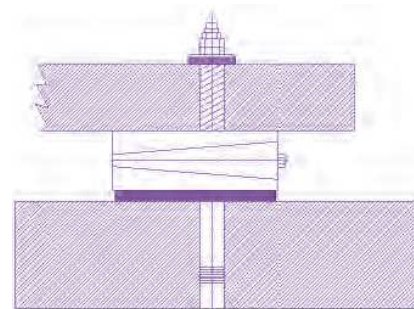
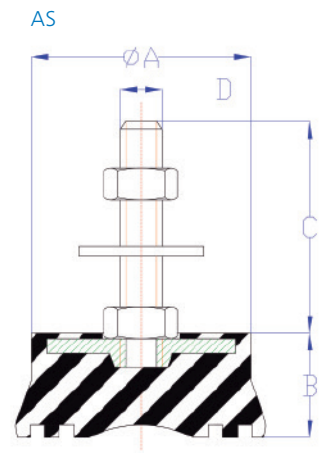
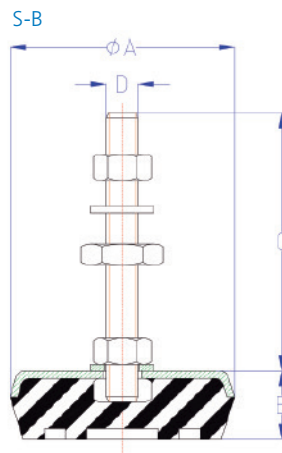
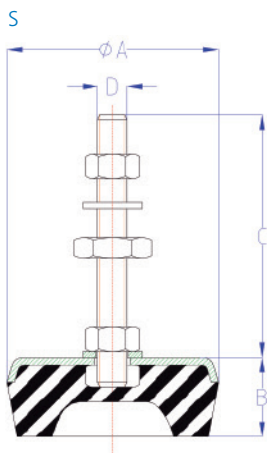


Fig.3 CHH uniquement



PIE DE MÁQUINA / MACHINE BASE / PIED MACHINE / MASCHINENFÜSSE

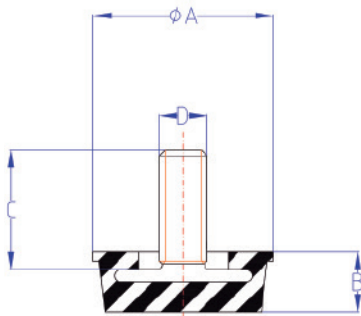
	REF / ART.NR	DIMENSIONES / DIMENSIONS ABMESSUNGEN				COMPRESION / COMPRESSION DRUCKBELASTUNG	
		ØA	B	D	C	CARGA / LOAD CHARGE / LAST	FLECHA / DEFLECTION FLECHE / FEDERWEG
	mm.				kg.	mm.	
S	000	40	23	M-08	55	60	3,5±0,5
	00	60	28	M-10	80	160	4,0±1,0
	0	70	32	M-12	100	300	4,5±1,0
	1	85	30	M-12	100	500	4,5±1,0
	2	100	40	M-14	110	600	6,0±1,0
	3	120	50	M-16	120	900	7,5±1,0
	4	140	50	M-16	120	1.200	8,0±1,0
	5	160	60	M-16	120	1.750	9,0±1,0
	6	180	70	M-24	136	2.500	11,0±1,5
	7	205	75	M-24	136	3.500	12,0±2,0
<i>DUREZA / HARDNESS / DURETE / HÄRTE 60 SHÖRE</i>							
S-B	00-B	60	18	M-10	80	200	2,0±0,5
	0-B	70	20	M-12	100	350	2,0±0,5
	1-B	85	25	M-12	100	600	2,2±0,5
	2-B	100	20	M-14	110	800	2,5±0,5
	3-B	120	25	M-16	120	1.100	2,5±0,5
	4-B	140	33	M-16	120	2.000	3,5±0,5
5-B	160	31	M-16	120	3.000	4,0±1,0	
<i>DUREZA / HARDNESS / DURETE / HÄRTE 75 SHÖRE</i>							
AS	AS4020-60SH	40	20	M-08	40	90	4,0±0,5
	AS5020-45SH	52	20	M-10	70	180	4,0±1,0
	AS6020-60SH	52	20	M-10	70	275	4,0±1,0
	AS6520-75SH	52	20	M-12	90	750	4,0±1,0
	AS7526-60SH	69	26	M-12	80	330	5,0±1,0
	AS8026-75SH	69	26	M-12	80	550	5,0±1,0



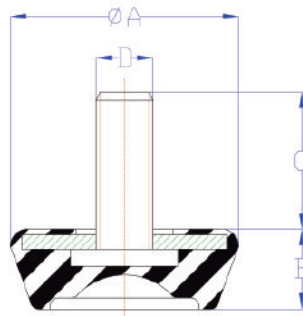
R80T30 / R80T35 / AS

R80T	REF / ART.NR	DIMENSIONES / DIMENSIONS ABMESSUNGEN					COMPRESION / COMPRESSION DRUCKBELASTUNG	
	TUBOØ	A	H	L	M	R	CARGA / LOAD CHARGE / LAST	FLECHA / DEFLECTION FLECHE / FEDERWEG
	mm.					kg.	mm.	
	R80T30EPDM50	30	28	73	55	M-08	15,0	33
R80T35EPDM50	35	28	70	56	M-08	17,5	26	2,2±0,5
<i>DUREZA / HARDNESS / DURETE / HÄRTE 50 SHÖRE</i>								
AS	REF / ART.NR	DIMENSIONES / DIMENSIONS ABMESSUNGEN				COMPRESION / COMPRESSION DRUCKBELASTUNG		
	ØA	B	D	C	CARGA / LOAD CHARGE / LAST	FLECHA / DEFLECTION FLECHE / FEDERWEG		
	mm.				kg.	mm.		
	AS-29	30	10	M-08	20	60	1,5±0,5	
	AS-39	40	15	M-10	25	60	2,0±0,5	
AS-40	40	25	M-10	25	90	4,0±0,5		
AS-55	55	30	M-10	50	150	4,5±0,5		
<i>DUREZA / HARDNESS / DURETE / HÄRTE 60 SHÖRE</i>								

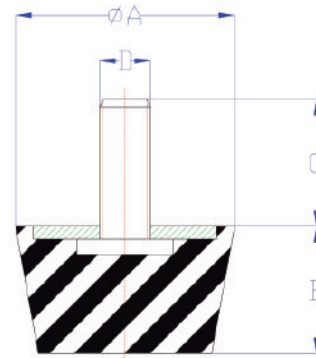
AS29



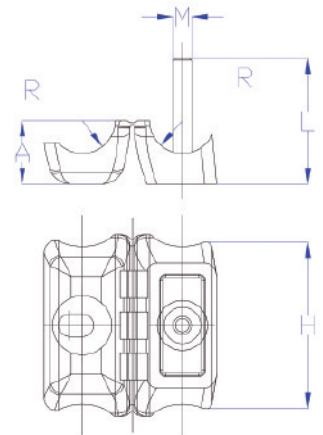
AS39



AS40-55



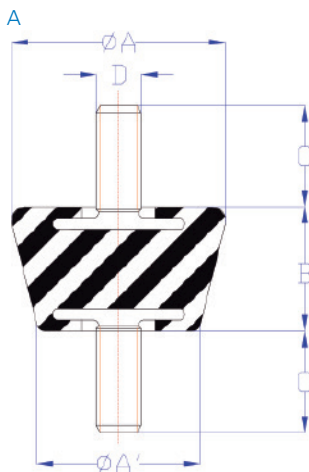
R80T



A / KIT / PACK

	REF / ART.NR	DIMENSIONES / DIMENSIONS ABMESSUNGEN					COMPRESION / COMPRESSION DRUCKBELASTUNG		
		Ø A	Ø A'	B	D	C	CARGA / LOAD CHARGE / LAST	FLECHA / DEFLECTION FLECHE / FEDERWEG	
		mm.					kg.	mm.	
	A35B	38	28	22	M-08	20	50	5,0±0,5	
	A35	38	28	22	M-08	20	100	5,0±0,5	
	A45B	45	32	30	M-08	20	65	6,0±1,0	
	A45	45	32	30	M-08	20	115	6,0±1,0	
	A35B PACK								
	A35 PACK								
	A45 PACK								
	AS4020BT								
	AS5020BT								
	AS6020BT								
	AS6520BT								
	AS7526BT								
R80T	REF / ART.NR	DIMENSIONES / DIMENSIONS ABMESSUNGEN					COMPRESION / COMPRESSION DRUCKBELASTUNG		
		TUBOØ	A	H	L	M	R	CARGA / LOAD CHARGE / LAST	FLECHA / DEFLECTION FLECHE / FEDERWEG
		mm.					kg.	mm.	
	R80T30PACK	30	28	73	55	M-08	15,0		
	R80T35PACK	35	28	70	56	M-08	17,5		

DUREZA / HARDNESS / DURETE / HÄRTE 50 SHÖRE



A35PACK



R80T30PACK

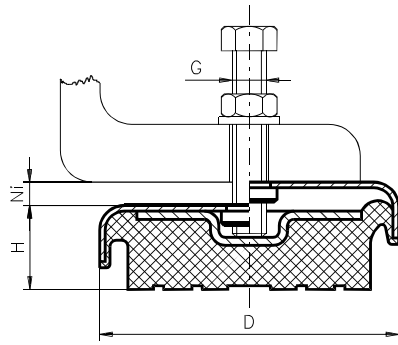


SR3015



AS4020BT

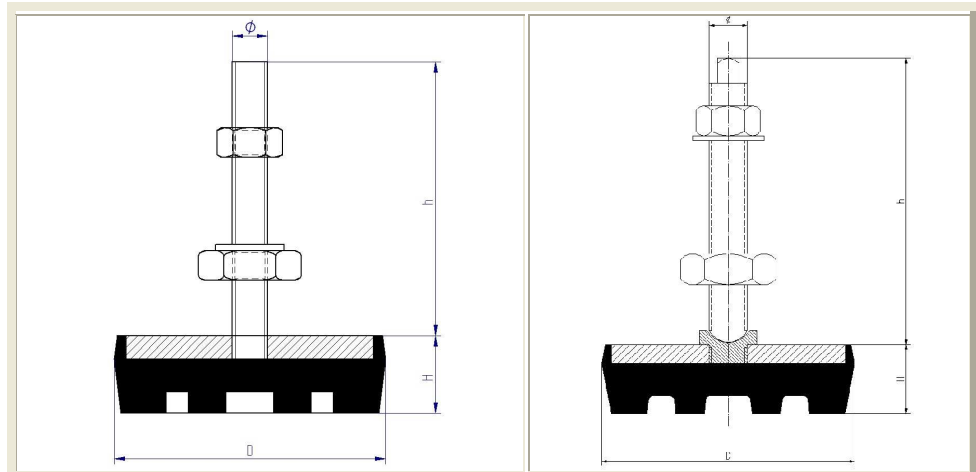
*Otras referencias y personalización de bolsas bajo consulta
*Other references and customizing if required
*D'autres références et personnalisation sous demande
*Kundenspezifische Packs auf Anfrage



KA (livré sans la tige filetée)

Type	D	H	Ni	G	Charge (kg)
KA01	80	25	10	M10	150
KA090	90	35	10	M12	400
KA015	120	35	12	M12	600
KA02	150	40	12	M16	1000
KA03	200	45	15	M20	3000

Les + produit : la mise à niveau (Ni), livrable en inox V2, V4
Matériaux : NR (standard), NBR, EPDM, silicone, néoprène (CR)



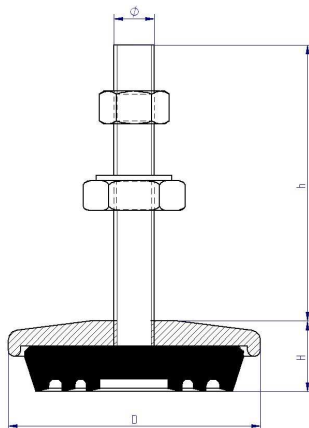
SBI (Inox)

SBR (Rotule)

Ref	Dureté	D	H	Filetage	h	Charge (kg)
SBI000 -	65	40	15	M8	40	0-60
SBI00 -	65	63	18	M10	83	30-100
SBI0 - SBR0	65	70	22	M12	90	80-150
SBI1 - SBR1	65	90	25	M12	90	100-350
SBI2 - SBR2	65	106	29	M16	110	300-600
SBI3 - SBR3	65	127	33	M16	110	500-900
SBI4 - SBR4	65	150	39	M16	110	800-1500
SBI5 - SBR5	65	170	42	M16	110	1300-2000



Les + produit : inox pour une résistance accrue à la corrosion
rotule pour compenser les irrégularités du sol.



SPI (Polyuréthane + Inox)

Ref	Dureté	D	H	Filetage	h	Charge (kg)
SPI60	Poliur.80	65	22	M12	90	200-800
SPI90	Poliur.80	100	30	M16	110	500-2000
SPI120	Poliur.80	120	33	M16	110	2000-4000
SPI160	Poliur.80	180	40	M16	110	4000-6000

Les + produit : inox. Polyuréthane, matériau aux multiples avantages tels : résistance à l'abrasion, aux entailles, produits chimiques, écarts de températures, ne marque aucune surface, grande élasticité, haute capacité de charge...
Jusqu'à 6 T par pied !

MFL							
Ref	D	H	G	L	Lh	SW	Charge (kg)
MFL-1	80	38-48	M12x1,5	100	75-65	8	600
MFL-2	120	43-55	M16x1,5	120	80-68	9	1500
MFL-3	160	48-53	M20x1,5	170	125-110	12	3000

MFL Charge (kg)				
Ref	Charge Statique	Charge dynamique		
		200 cycles/min	160 cycles/min	<125 cycles/min
MFL-1	600	120	140	200
MFL-2	1500	250	350	400
MFL-3	3000	700	1000	2500

Les + produit : mise à niveau précise et aisée – coupelle de protection enveloppante de couleur jaune – usage intensif
Livrabale en NR (standard), néoprène (CR), NBR, EPDM.

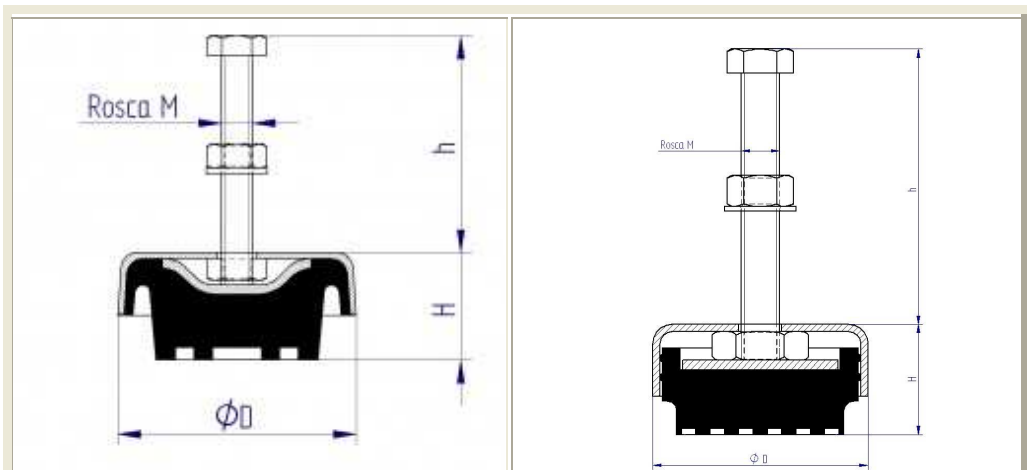
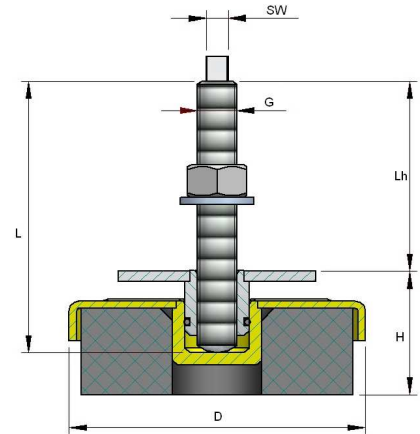


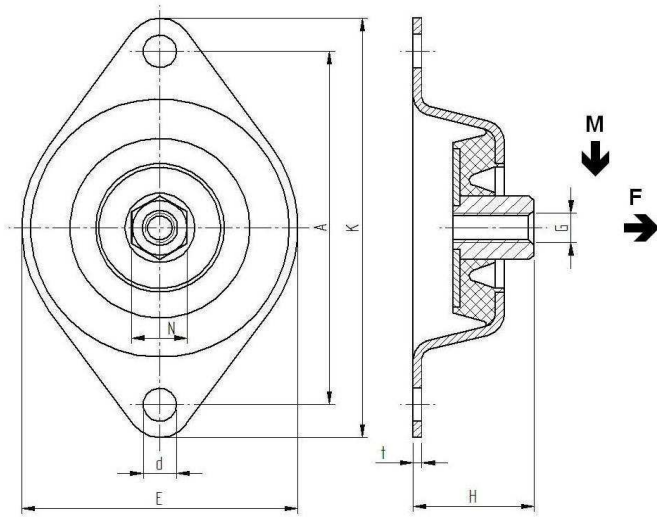
Fig 1		CAM			Fig 2	
Ref	Fig	D	H	Filetage	h	Charge (kg)
CAM50	1	50	24	M8x50	40	0-100
CAM75	1	76	35	M10x75	65	100-350
CAM85	2	90	40	M12x90	80	350-600
CAM90	2	90	49	M16x120	115	600-900
CAM125	2	125	52	M16x120	115	1.000-2.500
CAM170	2	170	57	M20x130	120	2.500-4.000



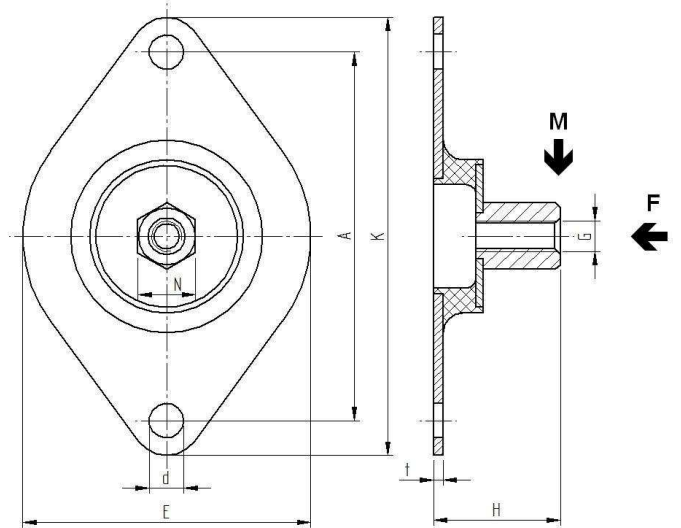
Les + produit : mise à niveau précise et aisée – coupelle de protection enveloppante de couleur bleue. Dureté 75 Sh.

HNG

HNG-HAUT / HNG-UPPER

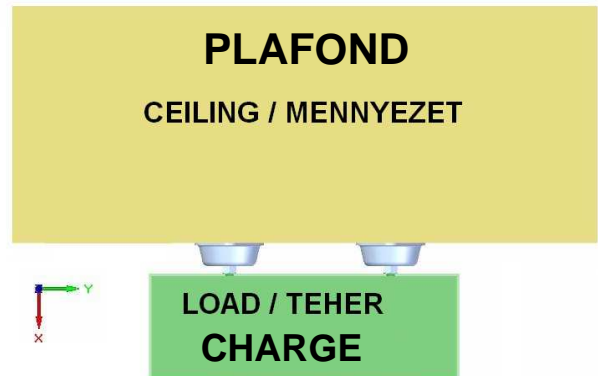
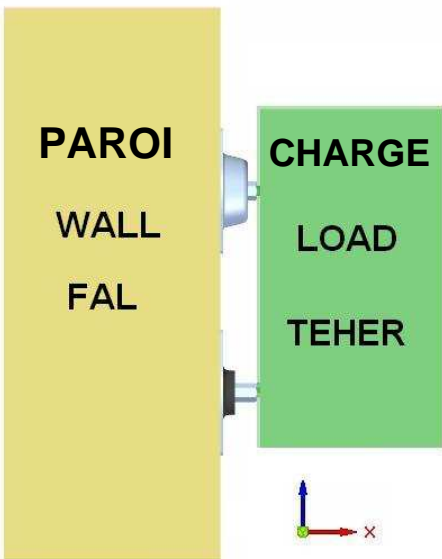
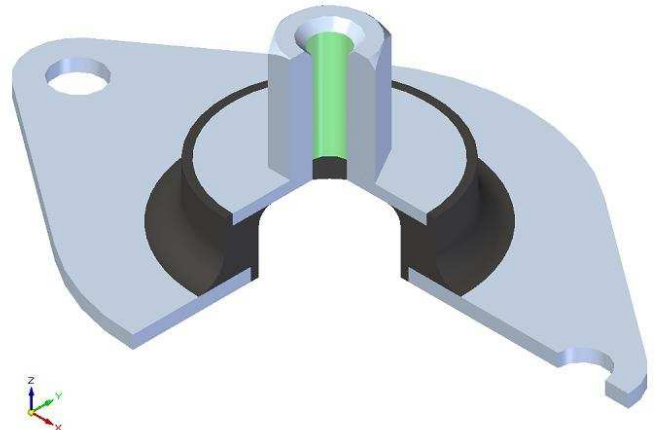
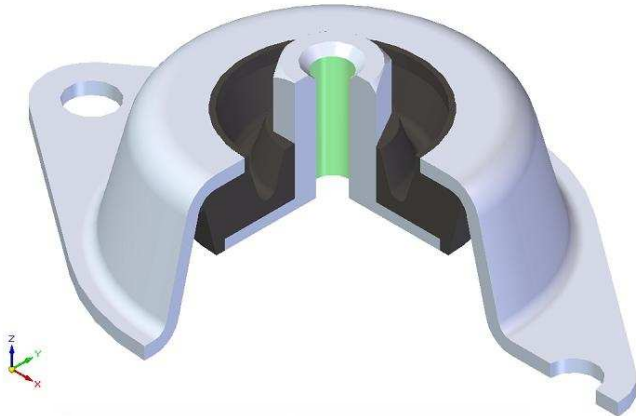


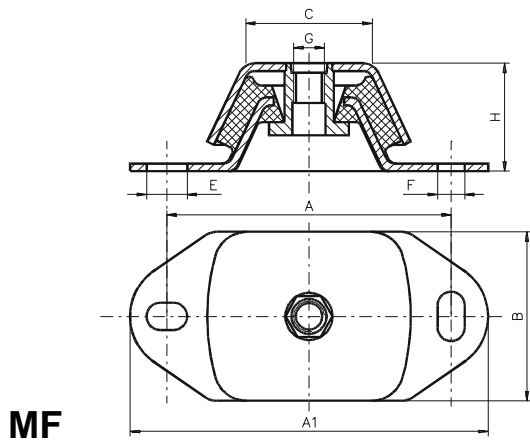
HNG BAS / HNG-LOWER



Type	E	K	A	H	d	N	t	G
HNG-haut	75	114	96	33	9	15	1,5	M8
HNG-bas	75	114	96	33	9	15	1,5	M8

Type Charge / Load	M-Max (kg)		F-Max (kg)	
	40° Sh	60° Sh	40° Sh	60° Sh
HNG-haut	14	25	30	70
HNG-bas	14	25	30	70

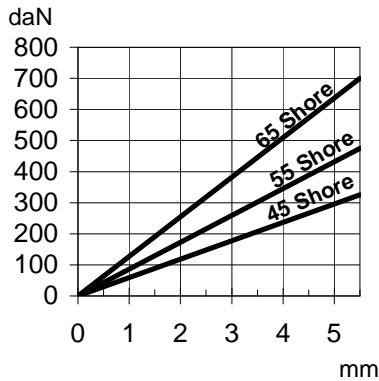




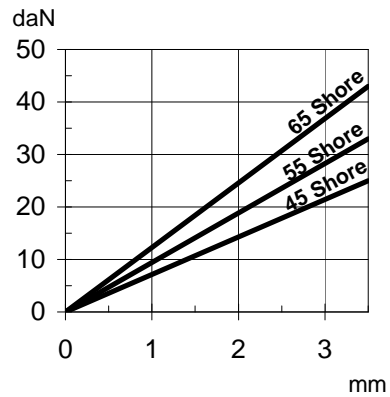
ISOLATEURS DE VIBRATIONS "MARINE"

Type	A	A1	B	C	E	F	G	H	Charge kg
MF03-45Sh-M10	100	120	60	60	11x14	11x14	M10	40	50
MF03-55Sh-M10	100	120	60	60	11X14	11X14	M10	40	65
MF03-65Sh-M10	100	120	60	60	11x14	11x14	M10	40	100
MF03-45Sh-M12	100	120	60	60	11x14	11x14	M12	40	50
MF03-55Sh-M12	100	120	60	60	11X14	11X14	M12	40	65
MF03-55Sh-M12	100	120	60	60	11X14	11X14	M12	40	100
MF02-45Sh	140	183	75	75	20x13	13x30	M16	50	150
MF02-55Sh	140	183	75	75	20x13	13x30	M16	50	200
MF02-65Sh	140	183	75	75	20x13	13x30	M16	50	300
MF02-75Sh	140	183	75	75	20x13	13x30	M16	50	550
MF01-45Sh	182	230	112	80	25x18	18x33	M20	70	350
MF01-55Sh	182	230	112	80	25x18	18x33	M20	70	500
MF01-65Sh	182	230	112	80	25x18	18x33	M20	70	750

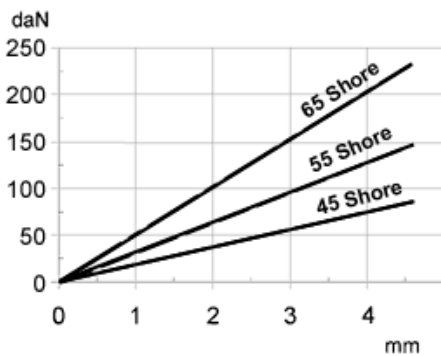
MF-01



MF-03

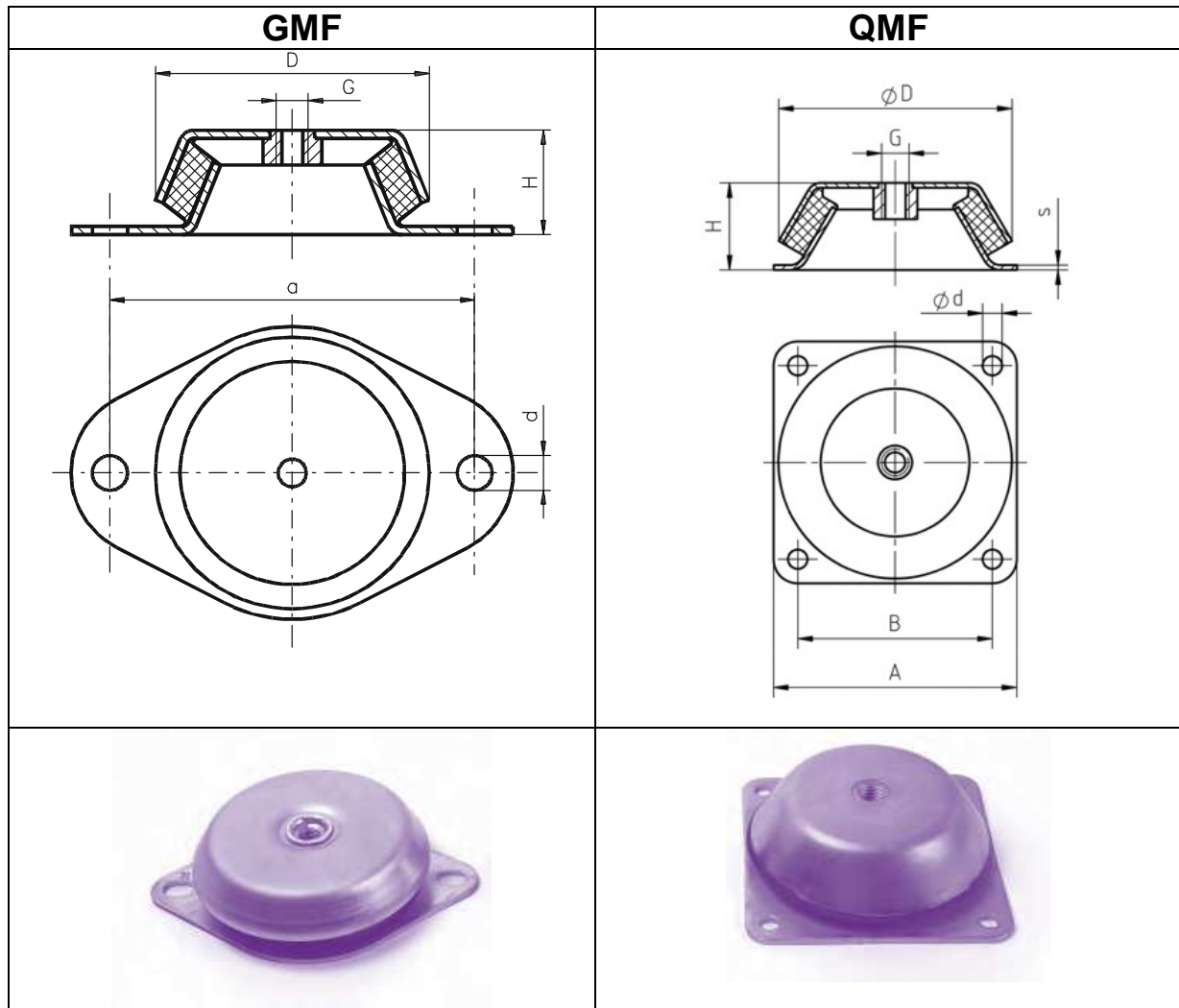


MF-02



Les + produit : supports principalement utilisés dans l'industrie navale : moteurs, compresseurs, pompes, générateurs. Butée interne anti-rebond pour éviter les dommages lors des mouvements de traction tout en assurant une bonne stabilité.

Contrôle des vibrations différencié dans les 3 dimensions.
Disponibles en Inox.



GMF

D/H	D	H	a	d	G	Charge (daN)
48/23	48	23	68	6,2	M8	100
62/30	62	30	85	8,2	M10	200
92/45	92	45	110	10,2	M12	300
101/38	101	38	175	14	M12	400
106/38	106	38	140	12,4	M12	400
150/53*	150	53	182	20	M16	1300
160/60	160	60	200	16,2	M16	1000

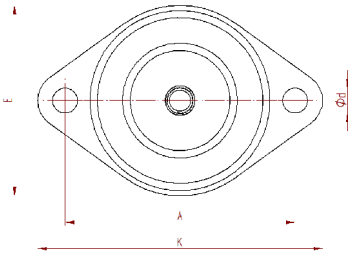
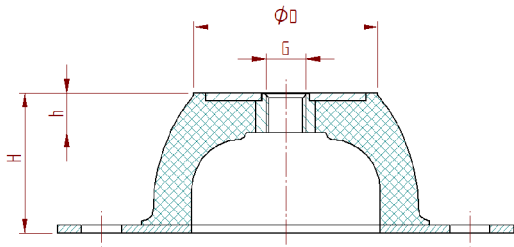
QMF

D/H	D	H	A	B	S	G	d	Charge (daN)
160/60	160	60	175	145	3	M 16	12,5	800
177/63	177	63	180	150	3	M 20	13	1400
182/66*	182	66	190	160	3	M20	14	2100

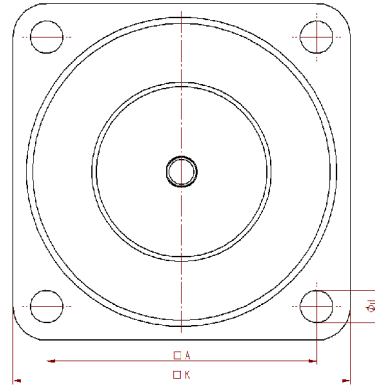
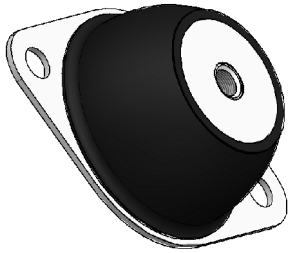
Les + produit : élastomère protégé par la coupelle pour éviter le contact avec l'huile ou la graisse. Amortissement des chocs. Transmission des vibrations et du bruit limitée. La rigidité horizontale est supérieure à la rigidité verticale, ce qui évite que les équipements se déplacent. Utilisation dans les groupes électrogènes, presses, pompes, moteurs diesel.... * sécurité anti-arrachement incluse.

Dureté 60 Sh. – autre duretés nous consulter.

VIBR M



VIBR M0007
VIBR M0025
VIBR M0050
VIBR M0100
VIBR M0200



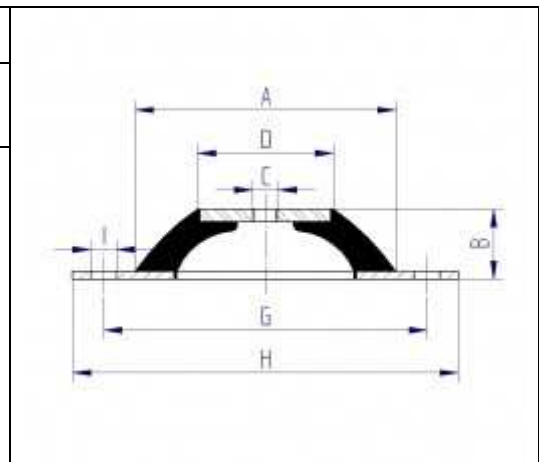
VIBR M0400
VIBR M0600
VIBR M1500

Type	D	E	A	K	H	h	d	G	Charge max	
									40 Sh	60 Sh
VIBR M0007	18	43	50	64	20	7	7.0	M6	3.5 kg	9
VIBR M0025	33	56	66	85	25	11	8.0	M8	20	50
VIBR M0050	45	76	92	114	35	14	10.0	M10	40	80
VIBR M0100	53	96	110	136	40	15	11.5	M10	70	150
VIBR M0200	58	101	124	151	45	13	11.5	M10	130	220
VIBR M0400	78		120	150	63	18	14.5	M12	280	500
VIBR M0600	100		160	200	85	25	14.5	M16	380	750
VIBR M1500	186		250	310	160	43	18.0	M24	1400	2500

VIBR B

Type	A	B	C	D	G	H	I	Charge kg
B100	100	25	10	52	124	148	10	160
B150	150	35	15	78	182	214	12	250
B200	200	40	18	130	240	280	14	825

Dureté 60 Sh.

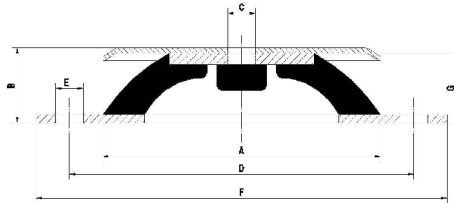


VIBR K

Type	A	B	C	D	E	F	G	Charge	Flèche
K40 (45Sh)	40	20	M6	52	6,2	64	18	1-4 kg	2
K40 (60 Sh)	40	20	M6	52	6,2	64	18	2-10	2,5
K60 (45 Sh)	60	24	M6	76	6,2	90	22	3-15	3
K60 (60 Sh)	60	24	M6	76	6,2	90	22	6-25	3
K60 (75 Sh)	60	24	M6	76	6,2	90	22	11-45	3
K80 (45 Sh)	80	27	M8	100	8,2	120	25	11-45	4,5
K80 (60 Sh)	80	27	M8	100	8,2	120	25	20-80	4,5
K80 (75 Sh)	80	27	M8	100	8,2	120	25	30-120	4
K100 (45 Sh)	100	27,5	M10	124	10,2	148	25,5	22-90	4
K100 (60 Sh)	100	27,5	M10	124	10,2	148	25,5	40-160	4
K100 (75 Sh)	100	27,5	M10	124	10,2	148	25,5	50-220	4
K150 (45 Sh)	150	40	M14	182	12,2	214	35	130	7
K150 (60 Sh)	150	40	M14	182	12,2	214	35	300	7
K150 (75 Sh)	150	40	M14	182	12,2	214	35	400	7
K200 (45 Sh)	200	44	M18	240	15	280	40	500	8
K200 (60 Sh)	200	44	M18	240	15	280	40	850	8
K200 (75 Sh)	200	44	M18	240	15	280	40	1300	8

Coupelle de protection

Type	Diamètre
CUP40	40
CUP60	60
CUP80	80
CUP100	100

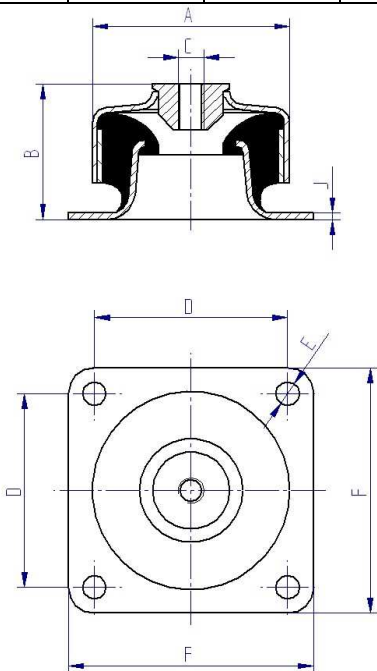


Permet de supporter des surcharges en accroissant la rigidité et protège le caoutchouc des projections d'hydrocarbures.

Les + produit (gamme VIBR) : supports compacts, de profil bas, composés de deux armatures parallèles adhérentes à une couronne de caoutchouc. Elasticité axiale et radiale très grandes et pratiquement équivalentes.

SCP

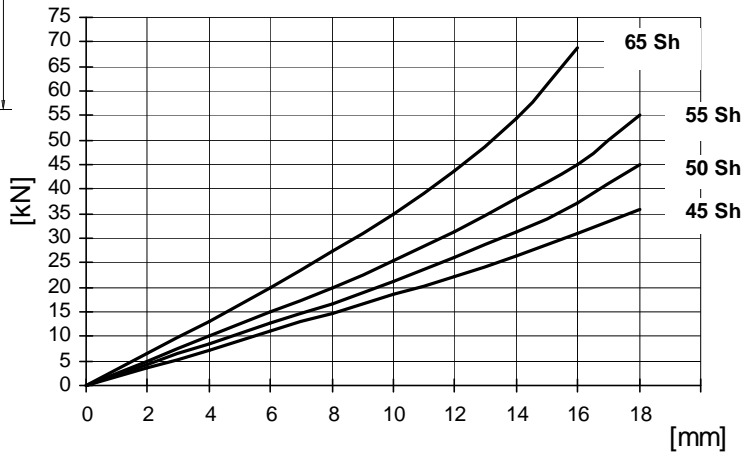
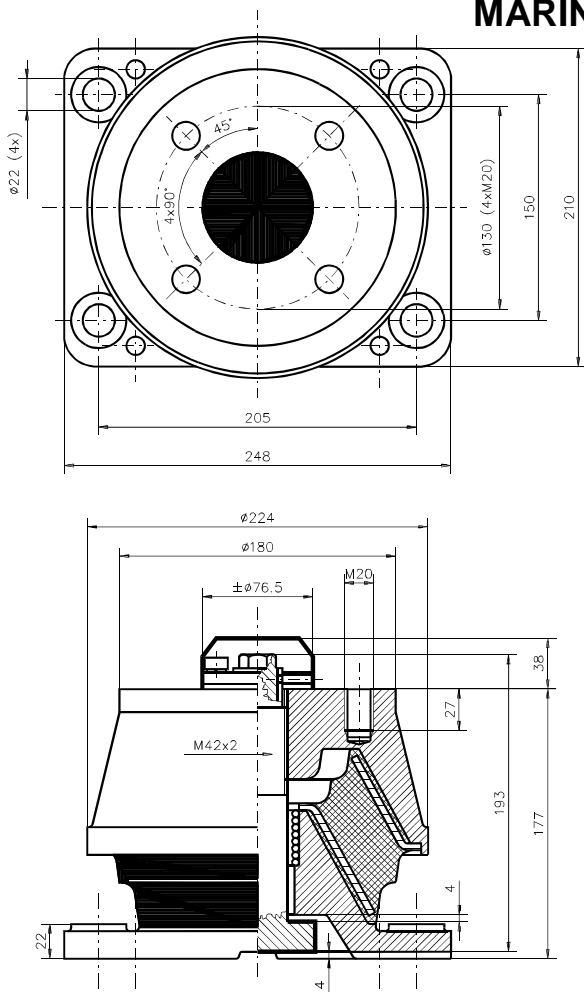
Type	A	B	C	D	E	F	J	Charge
SCP120	74	53	M10	72	9	90	3	120 kg
SCP220	92	63	M12	90	11	114	3	200
SCP420	124	93	M16	114	13	144	4	500



Les + produit : coupelle de renfort et de protection du caoutchouc. Conçus spécialement pour l'isolation de fréquences moyennes et élevées. Elasticité axiale deux à trois fois supérieure à l'élasticité radiale.

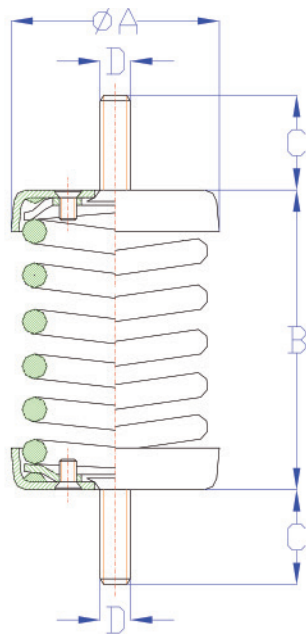
SUPPORT ANTIVIBRATOIRE POUR APPLICATION MARINE ET STATIONNAIRE

HEAVY DUTY VIBRATION DAMPER FOR STATIONARY AND MARINE APPLICATION



N T2 / M T2

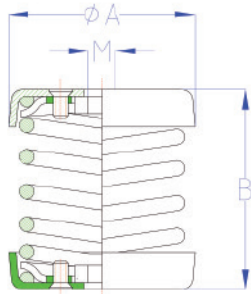
	REF / ART.NR	DIMENSIONES / DIMENSIONS ABMESSUNGEN				COMPRESION / COMPRESSION DRUCKBELASTUNG		CONSTANTE / STIFFNESS RIGIDITE / STEIFIGKEIT
		ØA	B	D	C	CARGA / LOAD CHARGE / LAST	FLECHA / DEFLECTION FLECHE / FEDERWEG	
	mm.				kg.	mm.	kg./cm	
N T2	N10 T2	55	59	M-08	25	10	11±2,0	9,09
	N15 T2	55	59	M-08	25	15	11±2,0	13,64
	N25 T2	55	59	M-08	25	25	11±2,0	22,73
	N50 T2	55	59	M-08	25	50	11±2,0	45,45
	N75 T2	55	59	M-08	25	75	11±2,0	68,18
	N100 T2	55	59	M-08	25	100	11±2,0	90,91
	N150 T2	73	91	M-12	33	150	13±2,0	115,38
	N250 T2	73	91	M-12	33	250	13±2,0	192,31
	N350 T2	73	91	M-12	33	350	13±2,0	269,23
M T2	M25 T2	55	79	M-08	25	25	20±2,0	12,50
	M50 T2	55	79	M-08	25	50	20±2,0	25,00
	M75 T2	55	79	M-08	25	75	20±2,0	37,50
	M100 T2	55	79	M-08	25	100	20±2,0	50,00
	M125 T2	55	79	M-08	25	125	20±2,0	62,50
	M150 T2	73	120	M-12	33	150	30±3,0	50,00
	M200 T2	73	120	M-12	33	200	30±3,0	66,67
	M250 T2	73	120	M-12	33	250	30±3,0	83,33
	M350 T2	73	120	M-12	33	350	30±3,0	116,67
	M450 T2	73	120	M-12	33	450	30±3,0	150,00
	M550 T2	73	120	M-12	33	550	30±3,0	183,33



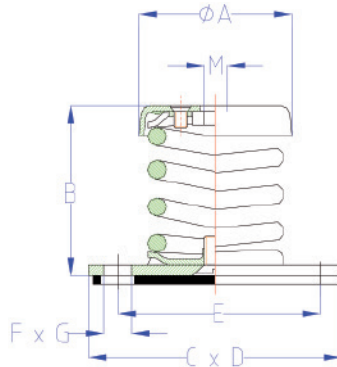
METÁLICOS / RESSORTS / SPRINGS / FEDERISOLATOREN N (10 - 350 kg.)

	REF / ART.NR	DIMENSIONES / DIMENSIONS ABMESSUNGEN							COMPRESION / COMPRESSION DRUCKBELASTUNG		CONSTANTE / STIFFNESS RIGIDITE / STEIFIGKEIT	
		ØA	B	C	D	E	F	G	M	CARGA / LOAD CHARGE / LAST	FLECHA / DEFLECTION FLECHE / FEDERWEG	
	mm.							kg.	mm.	kg./cm		
	N10	55	59						8	10	11±2,0	9,09
	N15	55	59						8	15	11±2,0	13,64
	N25	55	59						8	25	11±2,0	22,73
	N50	55	59						8	50	11±2,0	45,45
	N75	55	59						8	75	11±2,0	68,18
	N100	55	59						8	100	11±2,0	90,91
	N150	73	91						12	150	13±2,0	115,39
	N250	73	91						12	250	13±2,0	192,31
	N350	73	91						12	350	13±2,0	269,23
Z	N10 B	55	61	90	55	70	10	10	8	10	11±2,0	9,09
	N15 B	55	61	90	55	70	10	10	8	15	11±2,0	13,64
	N25 B	55	61	90	55	70	10	10	8	25	11±2,0	22,73
	N50 B	55	61	90	55	70	10	10	8	50	11±2,0	45,45
	N75 B	55	61	90	55	70	10	10	8	75	11±2,0	68,18
	N100 B	55	61	90	55	70	10	10	8	100	11±2,0	90,91
	N150 B	73	94	110	75	89	11	10	12	150	13±2,0	115,38
	N250 B	73	94	110	75	89	11	10	12	250	13±2,0	192,31
	N350 B	73	94	110	75	89	11	10	12	350	13±2,0	269,23
	N10 BB		63	90	55	70	10	10	8	10	11±2,0	9,09
	N15 BB		63	90	55	70	10	10	8	15	11±2,0	13,64
	N25 BB		63	90	55	70	10	10	8	25	11±2,0	22,73
	N50 BB		63	90	55	70	10	10	8	50	11±2,0	45,45
	N75 BB		63	90	55	70	10	10	8	75	11±2,0	68,18
	N100 BB		63	90	55	70	10	10	8	100	11±2,0	90,91
	N150 BB		95	110	75	89	11	10	12	150	13±2,0	115,38
	N250 BB		95	110	75	89	11	10	12	250	13±2,0	192,31
	N350 BB		95	110	75	89	11	10	12	350	13±2,0	269,23

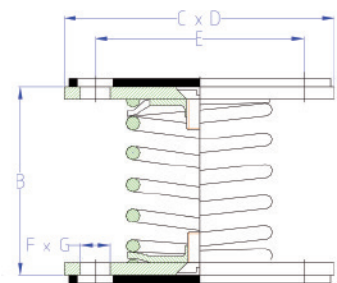
N



NB



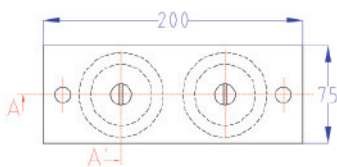
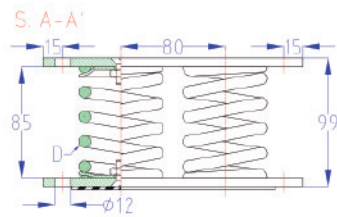
NBB



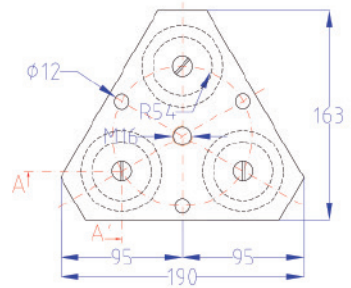
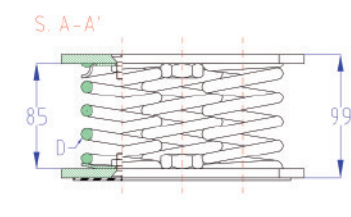
2N / 3N / 4N (300 - 1400 kg.)

	REF / ART.NR	CARGA / LOAD CHARGE / LAST	FLECHA / DEFLECTION FLÈCHE / FEDERWEG	CONSTANTE / STIFFNESS RIGIDITE / STEIFIGKEIT
		kg.	mm.	kg./cm
2N	2N 300	300	13±2,0	230,77
	2N 500	500	13±2,0	384,62
	2N 700	700	13±2,0	538,46
3N	3N 450	450	13±2,0	346,15
	3N 750	750	13±2,0	576,92
	3N 1050	1050	13±2,0	807,69
4N	4N 600	600	13±2,0	461,54
	4N 1000	1000	13±2,0	769,23
	4N 1400	1400	13±2,0	1076,92

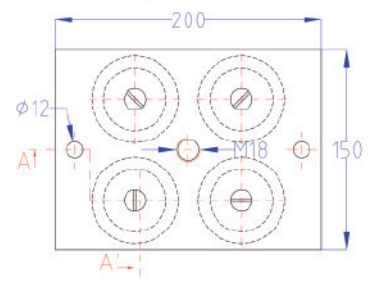
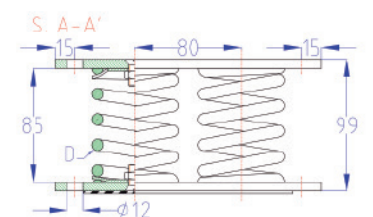
2N



3N

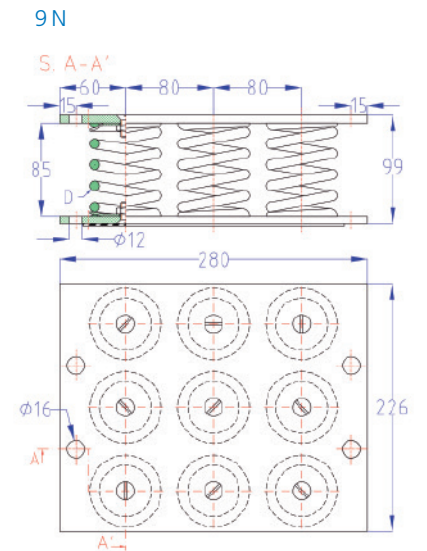
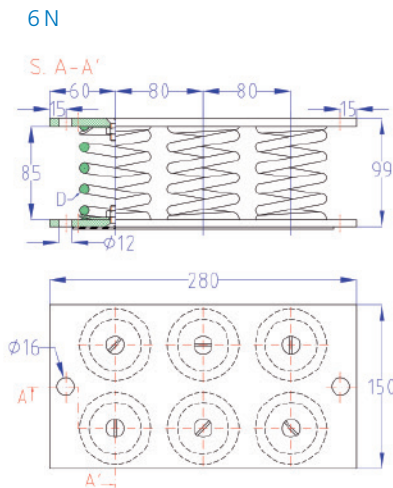
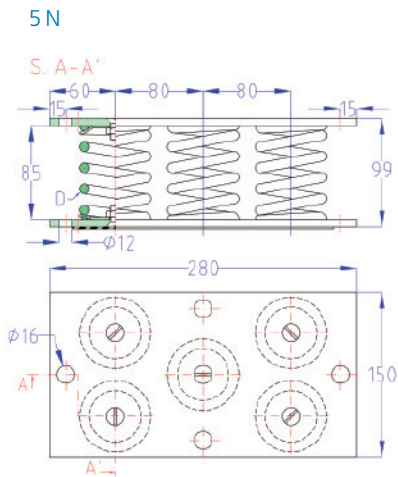


4N



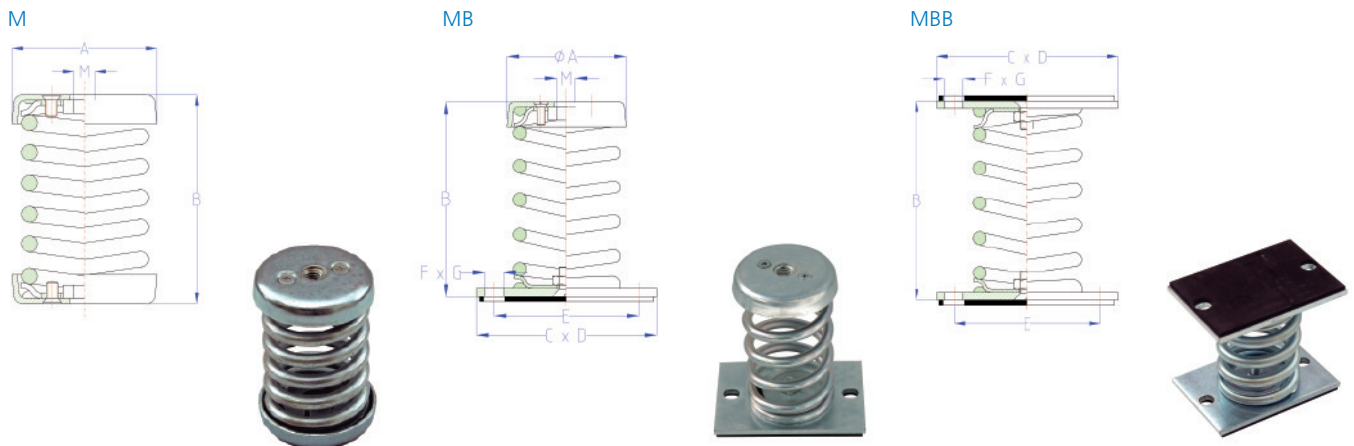
5N / 6N / 9N (750 - 3150 kg.)

	REF / ART.NR	CARGA / LOAD CHARGE / LAST	FLECHA / DEFLECTION FLÈCHE / FEDERWEG	CONSTANTE / STIFFNESS RIGIDITE / STEIFIGKEIT
		kg.	mm.	kg./cm
5N	5N 750	750	13±2,0	576,92
	5N 1250	1250	13±2,0	961,54
	5N 1750	1750	13±2,0	1346,15
6N	6N 900	900	13±2,0	692,31
	6N 1500	1500	13±2,0	1153,85
	6N 2100	2100	13±2,0	1615,38
9N	9N 1350	1350	13±2,0	1038,46
	9N 2250	2250	13±2,0	1730,77
	9N 3150	3150	13±2,0	2423,08



METÁLICOS / RESSORTS / SPRINGS / FEDERISOLATOREN M (25 - 550 kg.)

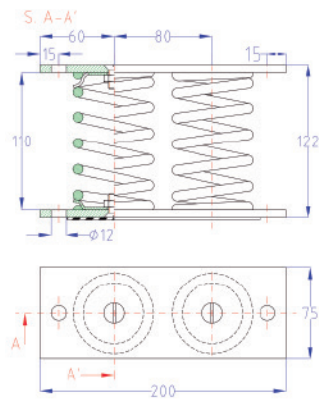
M	REF / ART.NR	DIMENSIONES / DIMENSIONS ABMESSUNGEN							COMPRESION / COMPRESSION DRUCKBELASTUNG		CONSTANTE / STIFFNESS RIGIDITE / STEIFIGKEIT	
		ØA	B	C	D	E	F	G	M	CARGA / LOAD CHARGE / LAST	FLECHA / DEFLECTION FLECHE / FEDERWEG	
		mm.							kg.	mm.	kg./cm	
	M25	55	79						8	25	20±2,0	12,50
	M50	55	79						8	50	20±2,0	25,00
	M75	55	79						8	75	20±2,0	37,50
	M100	55	79						8	100	20±2,0	50,00
	M125	55	79						8	125	20±2,0	62,50
	M150	73	116						12	150	30±3,0	50,00
	M200	73	116						12	200	30±3,0	66,67
	M250	73	116						12	250	30±3,0	83,33
	M350	73	116						12	350	30±3,0	116,67
	M450	73	116						12	450	30±3,0	150,00
	M550	73	116						12	550	30±3,0	183,33
	M25 B	55	81	90	55	70	10	10	8	25	20±2,0	12,50
	M50 B	55	81	90	55	70	10	10	8	50	20±2,0	25,00
	M75 B	55	81	90	55	70	10	10	8	75	20±2,0	37,50
	M100 B	55	81	90	55	70	10	10	8	100	20±2,0	50,00
	M125 B	55	81	90	55	70	10	10	8	125	20±2,0	62,50
	M150 B	73	119	110	75	89	11	10	12	150	30±3,0	50,00
	M200 B	73	119	110	75	89	11	10	12	200	30±3,0	66,67
	M250 B	73	119	110	75	89	11	10	12	250	30±3,0	83,33
	M350 B	73	119	110	75	89	11	10	12	350	30±3,0	116,67
	M450 B	73	119	110	75	89	11	10	12	450	30±3,0	150,00
	M550 B	73	119	110	75	89	11	10	12	550	30±3,0	183,33
	M25 BB		83	90	55	70	10	10		25	20±2,0	12,50
	M50 BB		83	90	55	70	10	10		50	20±2,0	25,00
	M75 BB		83	90	55	70	10	10		75	20±2,0	37,50
	M100 BB		83	90	55	70	10	10		100	20±2,0	50,00
	M125 BB		83	90	55	70	10	10		125	20±2,0	62,50
	M150 BB		120	110	75	89	11	10		150	30±3,0	50,00
	M200 BB		120	110	75	89	11	10		200	30±3,0	66,67
	M250 BB		120	110	75	89	11	10		250	30±3,0	83,33
	M350 BB		120	110	75	89	11	10		350	30±3,0	116,67
	M450 BB		120	110	75	89	11	10		450	30±3,0	150,00
	M550 BB		120	110	75	89	11	10		550	30±3,0	183,33



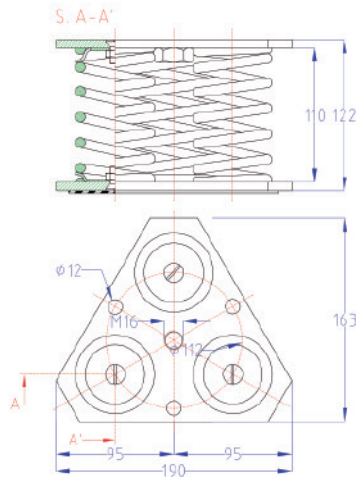
2M / 3M / 4M (300 - 2200 kg.)

	REF / ART.NR	CARGA / LOAD CHARGE / LAST	FLECHA / DEFLECTION FLÈCHE / FEDERWEG	CONSTANTE / STIFFNESS RIGIDITE / STEIFIGKEIT
		kg.	mm.	kg./cm
2M	2M 300	300	30±3,0	100,00
	2M 400	400	30±3,0	130,33
	2M 500	500	30±3,0	166,67
	2M 700	700	30±3,0	233,33
	2M 900	900	30±3,0	300,00
	2M 1100	1100	30±3,0	366,66
3M	3M 450	450	30±3,0	150,00
	3M 600	600	30±3,0	200,00
	3M 750	750	30±3,0	250,00
	3M 1050	1050	30±3,0	350,00
	3M 1350	1350	30±3,0	450,00
	3M 1650	1650	30±3,0	550,00
4M	4M 600	600	30±3,0	200,00
	4M 800	800	30±3,0	266,67
	4M 1000	1000	30±3,0	333,33
	4M 1400	1400	30±3,0	466,67
	4M 1800	1800	30±3,0	600,00
	4M 2200	2200	30±3,0	733,33

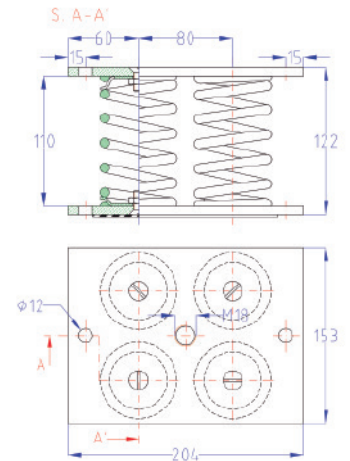
2M



3M



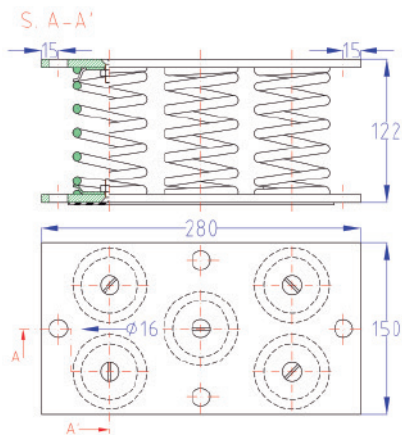
4M



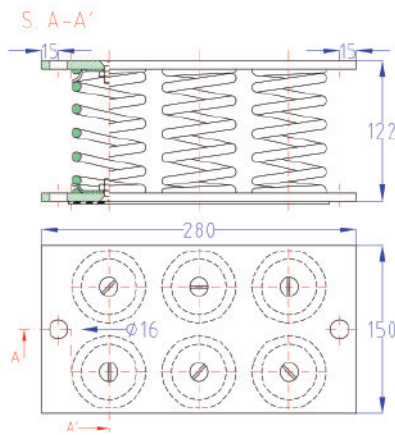
5M / 6M / 9M (750 - 4950 kg.)

	REF / ART.NR	CARGA / LOAD CHARGE / LAST	FLECHA / DEFLECTION FLÈCHE / FEDERWEG	CONSTANTE / STIFFNESS RIGIDITE / STEIFIGKEIT
		kg.	mm.	kg./cm
5M	5M 750	750	30±3,0	250,00
	5M 1000	1000	30±3,0	333,33
	5M 1250	1250	30±3,0	416,67
	5M 1750	1750	30±3,0	583,33
	5M 2250	2250	30±3,0	750,00
	5M 2750	2750	30±3,0	916,67
6M	6M 900	900	30±3,0	300,00
	6M 1200	1200	30±3,0	400,00
	6M 1500	1500	30±3,0	500,00
	6M 2100	2100	30±3,0	700,00
	6M 2700	2700	30±3,0	900,00
	6M 3300	3300	30±3,0	1100,00
9M	9M 1350	1350	30±3,0	450,00
	9M 1800	1800	30±3,0	600,00
	9M 2250	2250	30±3,0	750,00
	9M 3150	3150	30±3,0	1050,00
	9M 4050	4050	30±3,0	1350,00
	9M 4950	4950	30±3,0	1650,00

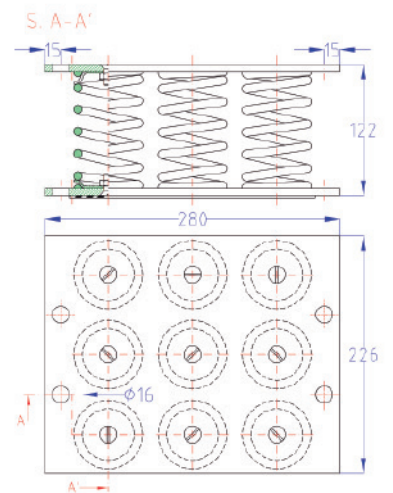
5M



6M

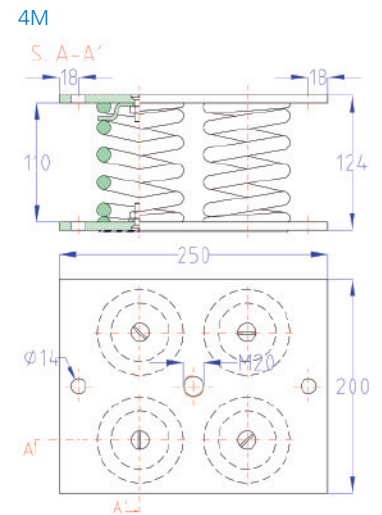
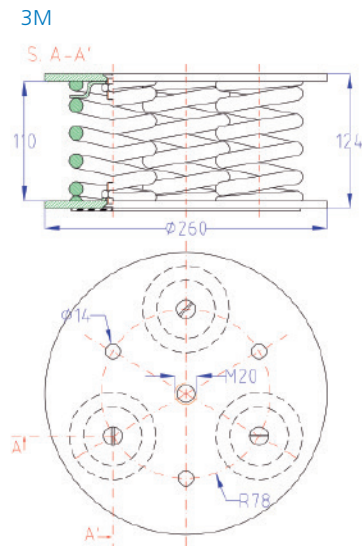
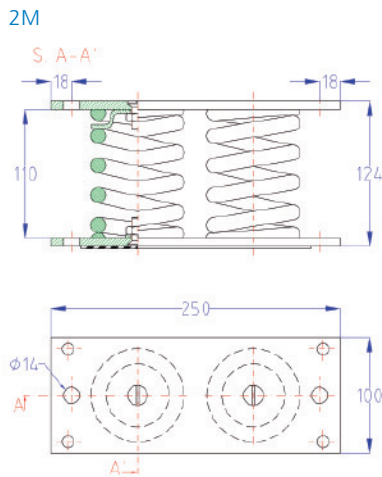
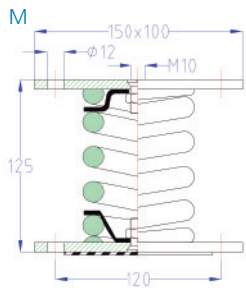


9M



M / 2M / 3M / 4M (500 - 3000 kg.)

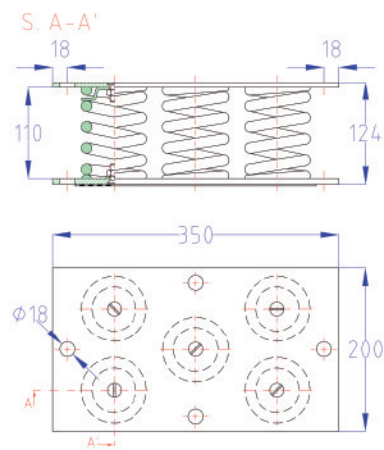
	REF / ART.NR	CARGA / LOAD CHARGE / LAST	FLECHA / DEFLECTION FLÈCHE / FEDERWEG	CONSTANTE / STIFFNESS RIGIDITE / STEIFIGKEIT
		kg.	mm.	kg./cm
M	M500	500	18±2,0	277,78
	M750	750	18±2,0	416,67
2M	2M 1000	1000	18±2,0	555,56
	2M 1500	1500	18±2,0	833,33
3M	3M 1500	1500	18±2,0	833,33
	3M 2250	2250	18±2,0	1.250,00
4M	4M 2000	2000	18±2,0	1.111,11
	4M 3000	3000	18±2,0	1.666,67



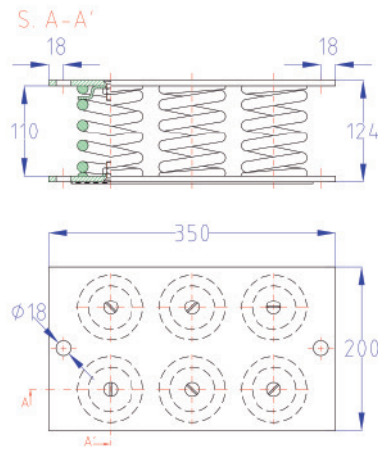
5M / 6M / 9M (2500 - 6750 kg.)

	REF / ART.NR	CARGA / LOAD CHARGE / LAST	FLECHA / DEFLECTION FLÈCHE / FEDERWEG	CONSTANTE / STIFFNESS RIGIDITE / STEIFIGKEIT
		kg.	mm.	kg./cm
5M	5M 2500	2500	18±2,0	1.388,89
	5M 3750	3750	18±2,0	2.083,33
6M	6M 3000	3000	18±2,0	1.666,67
	6M 4500	4500	18±2,0	2.500,00
9M	9M 4500	4500	18±2,0	2.500,00
	9M 6750	6750	18±2,0	3.750,00

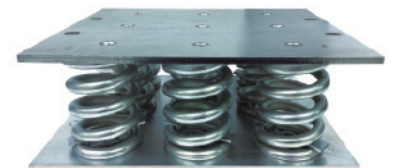
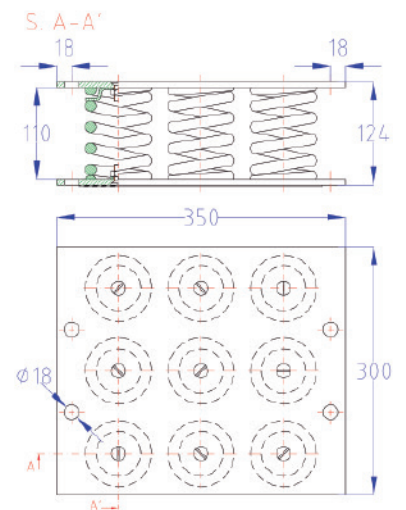
5M



6M

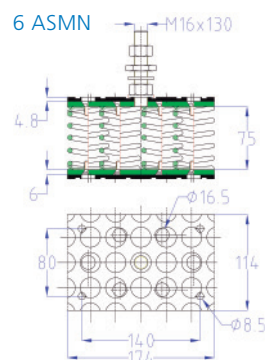
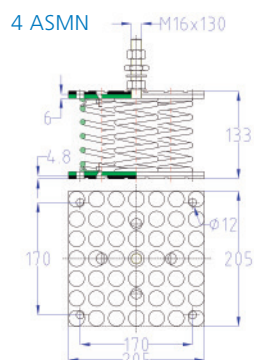


9M



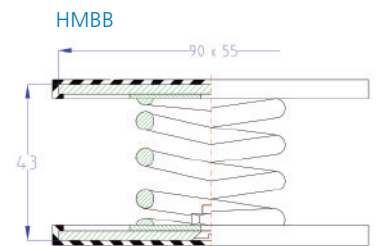
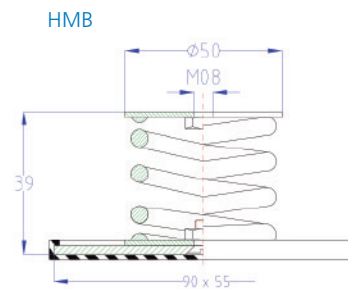
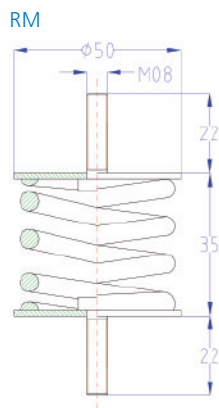
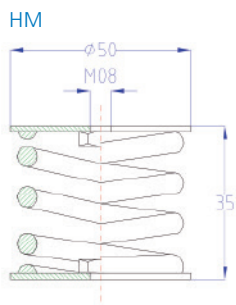
METÁLICOS / SPRINGS / RESSORTS / FEDERISOLATOREN 4 ASMN / 6 ASMN

	REF / ART.NR	CARGA / LOAD	FLECHA / DEFLECTION	CONSTANTE / STIFFNESS
		CHARGE / LAST	FLÈCHE / FEDERWEG	RIGIDITE / STEIFIGKEIT
		kg.	mm.	kg./cm
4 ASMN	4 ASMN 600	600	30±3,0	200,00
	4 ASMN 700	700	30±3,0	233,33
	4 ASMN 800	800	30±3,0	266,67
	4 ASMN 900	900	30±3,0	300,00
	4 ASMN 1000	1000	30±3,0	333,33
	4 ASMN 1100	1100	30±3,0	336,67
	4 ASMN 1200	1200	30±3,0	400,00
	4 ASMN 1300	1300	30±3,0	433,33
	4 ASMN 1400	1400	30±3,0	466,67
	4 ASMN 1500	1500	30±3,0	500,00
	4 ASMN 1600	1600	30±3,0	533,33
	4 ASMN 1700	1700	30±3,0	566,67
	4 ASMN 1800	1800	30±3,0	600,00
	4 ASMN 1900	1900	30±3,0	633,33
	4 ASMN 2000	2000	30±3,0	666,67
	4 ASMN 2100	2100	30±3,0	700,00
4 ASMN 2200	2200	30±3,0	733,33	
6 ASMN	6 ASMN 150	150	20±2,0	75,00
	6 ASMN 175	175	20±2,0	87,50
	6 ASMN 200	200	20±2,0	100,00
	6 ASMN 225	225	20±2,0	112,50
	6 ASMN 250	250	20±2,0	125,00
	6 ASMN 275	275	20±2,0	137,50
	6 ASMN 300	300	20±2,0	150,00
	6 ASMN 325	325	20±2,0	162,50
	6 ASMN 350	350	20±2,0	175,00
	6 ASMN 375	375	20±2,0	187,50
	6 ASMN 400	400	20±2,0	200,00
	6 ASMN 425	425	20±2,0	212,50
	6 ASMN 450	450	20±2,0	225,00
	6 ASMN 475	475	20±2,0	237,50
	6 ASMN 500	500	20±2,0	250,00
	6 ASMN 550	550	20±2,0	275,00
	6 ASMN 575	575	20±2,0	287,50
	6 ASMN 600	600	20±2,0	300,00
	6 ASMN 625	625	20±2,0	312,50
	6 ASMN 650	650	20±2,0	325,00
6 ASMN 675	675	20±2,0	337,50	
6 ASMN 700	700	20±2,0	350,00	
6 ASMN 725	725	20±2,0	362,50	
6 ASMN 750	750	20±2,0	375	



METÁLICOS / SPRINGS / RESSORTS / FEDERISOLATOREN HM / RM / HMB / HMBB

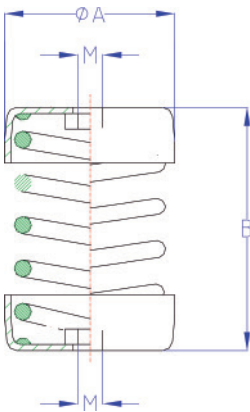
	REF / ART.NR	CARGA / LOAD CHARGE / LAST	FLECHA / DEFLECTION FLÈCHE / FEDERWEG	CONSTANTE / STIFFNESS RIGIDITE / STEIFIGKEIT
		kg.	mm.	kg./cm
HM	HM 05	5	7±1,0	7,14
	HM 10	10	7±1,0	14,29
	HM 20	20	7±1,0	28,57
	HM 30	30	7±1,0	42,86
	HM 40	40	7±1,0	57,14
	HM 50	50	7±1,0	71,43
RM	RM 05	5	7±1,0	7,14
	RM 10	10	7±1,0	14,29
	RM 20	20	7±1,0	28,57
	RM 30	30	7±1,0	42,86
	RM 40	40	7±1,0	57,14
	RM 50	50	7±1,0	71,43
HMB	HMB 05	5	7±1,0	7,14
	HMB 10	10	7±1,0	14,29
	HMB 20	20	7±1,0	28,57
	HMB 30	30	7±1,0	42,86
	HMB 40	40	7±1,0	57,14
	HMB 50	50	7±1,0	71,43
HMBB	HMBB 05	5	7±1,0	7,14
	HMBB 10	10	7±1,0	14,29
	HMBB 20	20	7±1,0	28,57
	HMBB 30	30	7±1,0	42,86
	HMBB 40	40	7±1,0	57,14
	HMBB 50	50	7±1,0	71,43



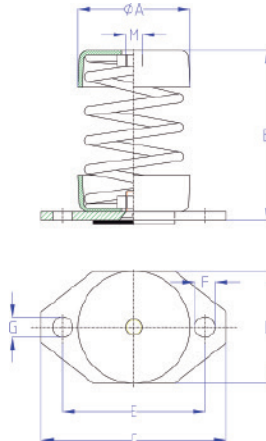
AISLADORES INOX/ STAINLESS STEEL ISOLATORS / ISOLATEURS INOX
 FEDERSCHWINGUNGSDÄMPFER AUS EDELSTAHL

	REF / ART.NR	DIMENSIONES / DIMENSIONS ABMESSUNGEN							COMPRESION / COMPRESSION DRUCKBELASTUNG		CONSTANTE / STIFFNESS RIGIDITE / STEIFIGKEIT	
		ØA	B	C	D	E	F	G	M	CARGA / LOAD CHARGE / LAST	FLECHA / DEFLECTION FLECHE / FEDERWEG	
	mm.							kg.	mm.	kg./cm		
MLC - INOX	MLC25 - INOX	55	79						8	25	24±2,0	10,42
	MLC50 - INOX	55	79						8	50	24±2,0	20,83
	MLC75 - INOX	55	79						8	75	24±2,0	31,25
	MLC100 - INOX	55	79						8	100	24±2,0	41,67
	MLC125 - INOX	55	79						8	125	24±2,0	52,08
	MLC150 - INOX	55	115						12	150	30±2,0	50,00
	MLC200 - INOX	73	115						12	200	30±2,0	66,67
	MLC250 - INOX	73	115						12	250	30±2,0	83,33
	MLC300 - INOX	73	115						12	300	30±2,0	100,00
	MLC350 - INOX	73	115						12	350	30±2,0	116,67
MLC - B - INOX	MLC25B - INOX	55	83	91	55	70	10	10	8	25	24±2,0	10,42
	MLC50B - INOX	55	83	91	55	70	10	10	8	50	24±2,0	20,83
	MLC75B - INOX	55	83	91	55	70	10	10	8	75	24±2,0	31,25
	MLC100B - INOX	55	83	91	55	70	10	10	8	100	24±2,0	41,67
	MLC125B - INOX	55	83	91	55	70	10	10	8	125	24±2,0	52,08
	MLC150B - INOX	55	116,5	110	75	91	13,8	10	12	150	30±2,0	50,00
	MLC200B - INOX	73	116,5	110	75	91	13,8	10	12	200	30±2,0	66,67
	MLC250B - INOX	73	116,5	110	75	91	13,8	10	12	250	30±2,0	83,33
	MLC300B - INOX	73	116,5	110	75	91	13,8	10	12	300	30±2,0	100,00
	MLC350B - INOX	73	116,5	110	75	91	13,8	10	12	350	30±2,0	116,67

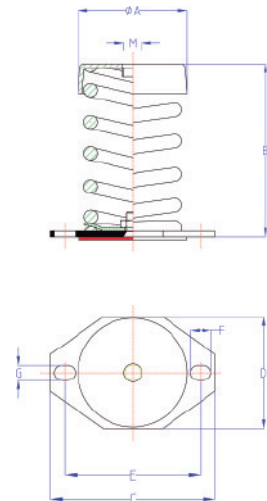
MLC-INOX



MLC-B-INOX 25-50-75-100-125



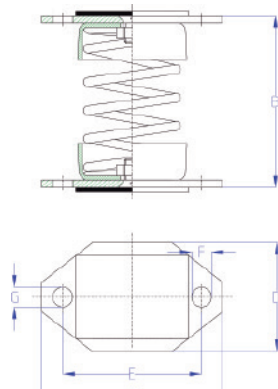
MLC-B-INOX 150-200-250-300-350



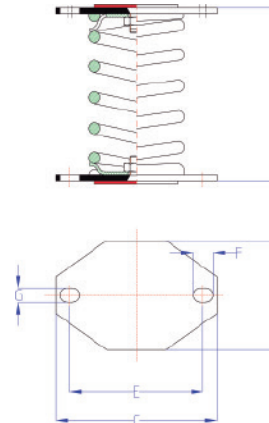
AISLADORES INOX/ STAINLESS STEEL ISOLATORS / ISOLATEURS INOX
 FEDERSCHWINGUNGSDÄMPFER AUS EDELSTAHL

MLC - BB - INOX	REF / ART.NR	DIMENSIONES / DIMENSIONS ABMESSUNGEN							COMPRESION / COMPRESSION DRUCKBELASTUNG		CONSTANTE / STIFFNESS RIGIDITE / STEIFIGKEIT	
		ØA	B	C	D	E	F	G	M	CARGA / LOAD CHARGE / LAST	FLECHA / DEFLECTION FLECHE / FEDERWEG	
		mm.							kg.	mm.	kg./cm	
	MLC25BB - INOX		87	91	55	70	10	10		25	24±2,0	10,42
	MLC50BB - INOX		87	91	55	70	10	10		50	24±2,0	20,83
	MLC75BB - INOX		87	91	55	70	10	10		75	24±2,0	31,25
	MLC100BB - INOX		87	91	55	70	10	10		100	24±2,0	41,67
	MLC125BB - INOX		87	91	55	70	10	10		125	24±2,0	52,08
	MLC150BB - INOX		118	110	75	91	13,8	10		150	30±2,0	50,00
	MLC200BB - INOX		118	110	75	91	13,8	10		200	30±2,0	66,67
	MLC250BB - INOX		118	110	75	91	13,8	10		250	30±2,0	83,33
	MLC300BB - INOX		118	110	75	91	13,8	10		300	30±2,0	100,00
	MLC350BB - INOX		118	110	75	91	13,8	10		350	30±2,0	116,67

MLC-BB-INOX 25-50-75-100-125



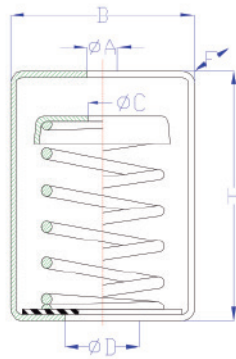
MLC-BB-INOX 150-200-250-300-350



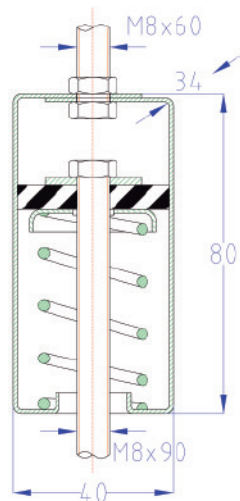
SUSTAINER TM / TV

	REF / ART.NR	DIMENSIONES / DIMENSIONS ABMESSUNGEN					COMPRESION / COMPRESSION DRUCKBELASTUNG		CONSTANTE / STIFFNESS RIGIDITE / STEIFIGKEIT	
		B	F	H	ØA	ØD	ØC	CARGA / LOAD CHARGE / LAST	FLECHA / DEFLECTION FLECHE / FEDERWEG	
	mm.					kg.	mm.	kg./cm		
TM	TM 25	75	55	100	12	30	11	25	24±3,0	10,42
	TM 50	75	55	100	12	30	11	50	24±3,0	20,83
	TM 75	75	55	100	12	30	11	75	24±3,0	31,25
	TM 100	75	55	100	12	30	11	100	24±3,0	41,67
	TM 125	75	55	100	12	30	11	125	24±3,0	52,08
	TM 150	120	75	155	16	30	14	150	35±4,0	42,86
	TM 200	120	75	155	16	30	14	200	35±4,0	57,14
	TM 250	120	75	155	16	30	14	250	35±4,0	71,43
	TM 350	120	75	155	16	30	14	350	35±4,0	100,00
	TM 450	120	75	155	16	30	14	450	35±4,0	128,57
TM 550	120	75	155	16	30	14	550	35±4,0	157,14	
TV	TV 10							10	30±3,0	3,33
	TV 20							20	20±2,0	10,00
	TV 30							30	20±2,0	15,00
	TV 40							40	20±2,0	20,00

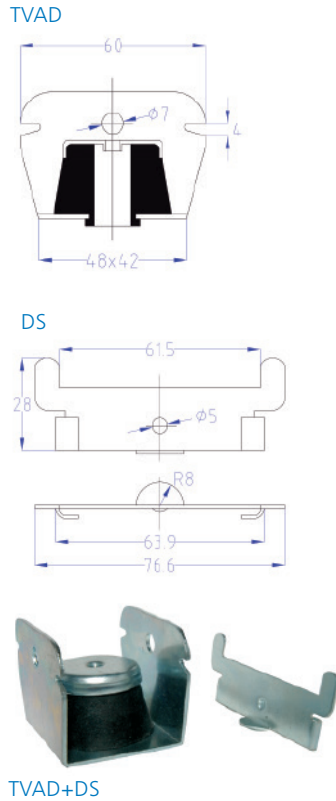
Sustainer TM



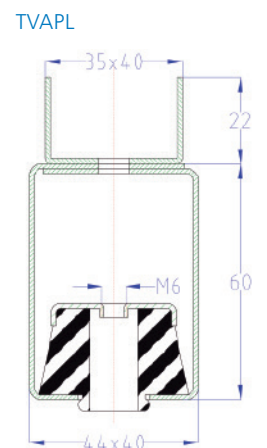
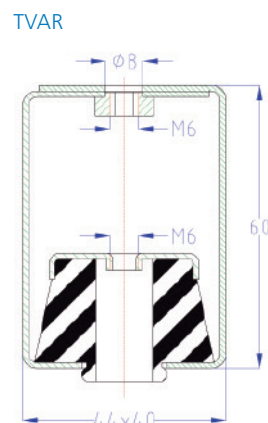
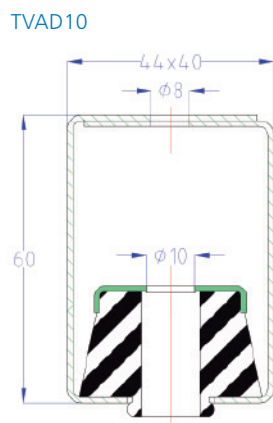
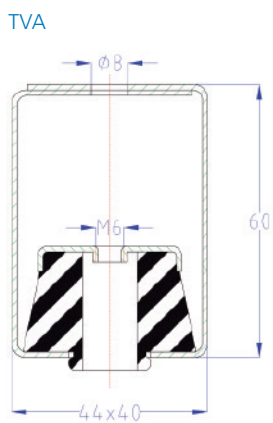
Sustainer TV



SUSTAINER TVAD-DS / TVA / TVAD10 / TVAR / TVAPL

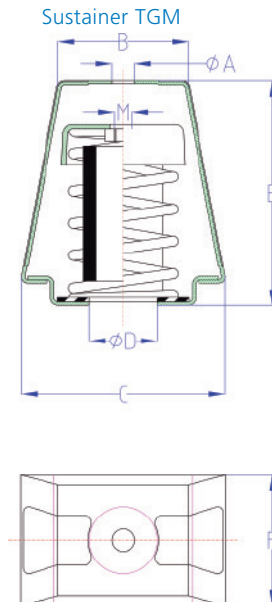


	REF / ART.NR	COMPRESSION / COMPRESSION DRUCKBELASTUNG			
		CARGA / LOAD CHARGE / LAST		FLECHA / DEFLECTION FLECHE / FEDERWEG	
		kg.		mm.	
TVA	TVA 40	8	25	1	3
	TVA 60	18	50	1	3
	TVA 75	25	75	1	3
TVAD10	TVA40 D10	8	25	1	3
	TVA60 D10	18	50	1	3
	TVA75 D10	25	75	1	3
TVAR	TVAR 40	8	25	1	3
	TVAR 60	18	50	1	3
	TVAR 75	25	75	1	3
TVAPL	TVAPL 40	8	25	1	3
	TVAPL 60	18	50	1	3
	TVAPL 75	25	75	1	3
TVAD	TVAD 40	8	25	1	3
	TVAD 60	18	50	1	3
	TVAD 75	25	75	1	3
	DS				

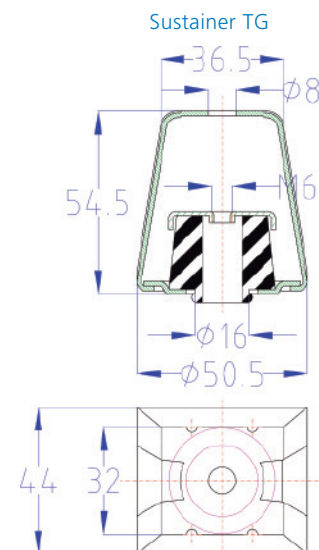


SUSTAINER TGM / TG

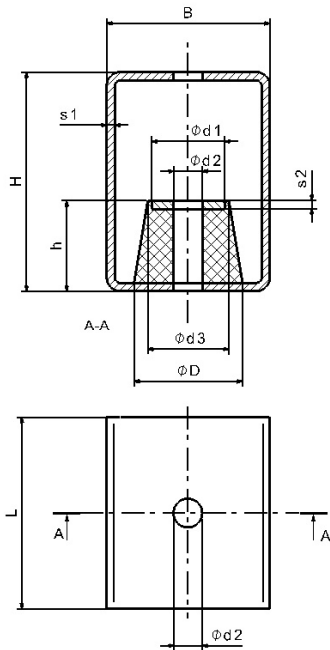
TGM	REF / ART.NR	DIMENSIONES / DIMENSIONS ABMESSUNGEN						COMPRESION / COMPRESSION DRUCKBELASTUNG		CONSTANTE / STIFFNESS RIGIDITE / STEIFIGKEIT
		B	ØA	C	ØD	E	ØM	CARGA / LOAD CHARGE / LAST	FLECHA / DEFLECTION FLECHE / FEDERWEG	
		mm.						kg.	mm.	kg./cm
	TGM 25	58	10,2	91	30	100	11	25	24±3,0	10,42
	TGM 50	58	10,2	91	30	100	11	50	24±3,0	20,83
	TGM 75	58	10,2	91	30	100	11	75	24±3,0	31,25
	TGM 100	58	10,2	91	30	100	11	100	24±3,0	41,67
	TGM 125	58	10,2	91	30	100	11	125	24±3,0	52,08



TG	REF / ART.NR	COMPRESION / COMPRESSION DRUCKBELASTUNG			
		CARGA / LOAD CHARGE / LAST		FLECHA / DEFLECTION FLECHE / FEDERWEG	
		kg.		mm.	
	TG 40	8	25	1	3
	TG 60	18	50	1	3
	TG 75	25	75	1	3



HNG-S

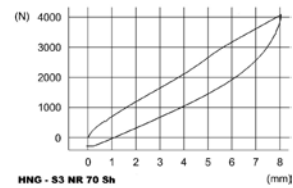
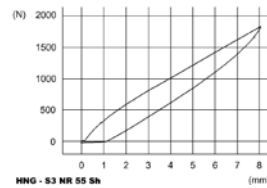
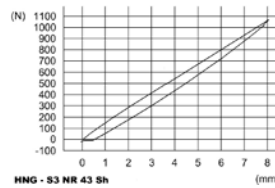
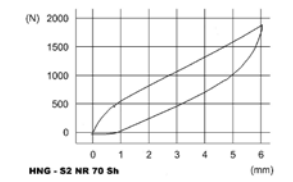
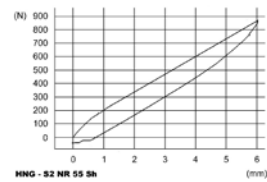
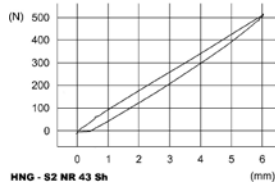
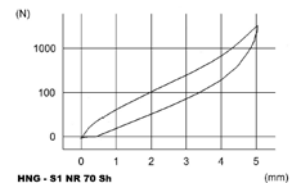
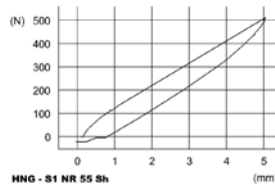
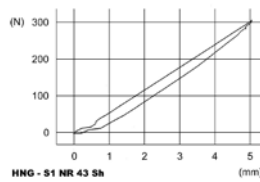
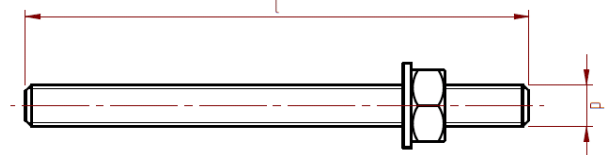


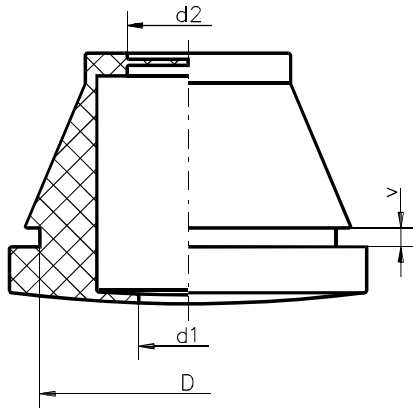
bolt, nut and washer are optional

Type	B	H	L	D	h	s1	s2	d1	d2	d3
HNG-S1	40	60	45	30	28	3	2	22,5	8,5	25
HNG-S2	60	80	55	40	33	3	3	27	10,5	30
HNG-S3	80	100	70	60	54	4	3	45	12,5	50

Screw set options:

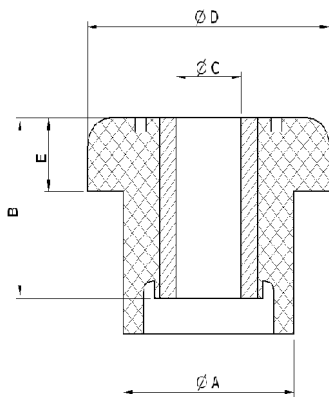
- M8 x Length:** min 80 mm, 90 mm, 100, 110 mm, 120 mm, ... 200 mm.
from 200 mm – 1.000 mm: 200 mm, 300 mm, 400 mm, ... 1.000 mm.
- M10 & M12 x Length:** min 100 mm, 110, mm, 120 mm, ... 200 mm.
from 200 mm – 1.000 mm: 200 mm, 300 mm, 400 mm, ... 1.000 mm.





PASSAGE DE CABLE / CABLE LEAD-THROUGH

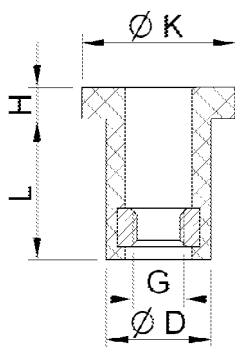
Type	d1	d2	D	v
5-7	4	4,5	16	1
7-10	6	7	18	2
10-14	8	9	23	2
14-20	13	14	28	2
20-26	16	19	38	3
26-35	21	25	48	3



ANNEAU EPAULE T-BLOCK

Type	A	B	C	D	E
TB-1	20,6	17,5	10	27,7	5,6
TB-2	31,5	25,4	13	44,5	10,4
TB-3	34,3	35	13	50,8	13,5
TB-4	41,1	44,5	16	63,5	15,7
TB-5	38	23	16	64	16
TB-6	56,6	50,8	20	95	25,4

Les + produit : sécurisation du montage avec rondelle

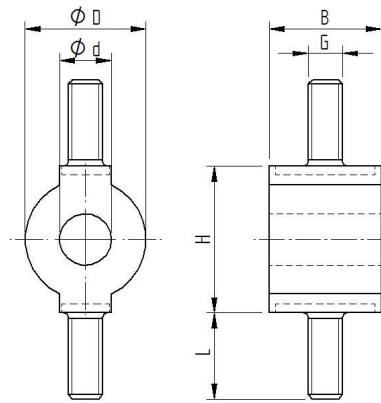
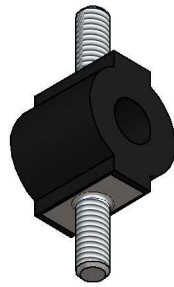


FIXATION ANTIBRUIT T-FLEX

Type	D	K	L	H	G
TF-1	6,6	8,8	8,8	3	M3
TF-2	8,5	12	12	3,2	M4
TF-3	10,2	15	14,5	3,5	M5
TF-4	12	17,8	17	4,3	M6
TF-5	16	23,6	21,8	5,3	M8

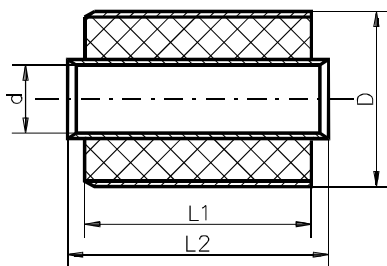
Les + produit : isolation vibratoire et électrique, économique

ISOLATEUR FAIBLE CHARGE / O-PUFFER



D/H	D	H	B	d	G	h	R
9,5/12,5	10,5	12,6	9,5	5,6	M4	10	5,25
14/17	14	17	13	6	M4	10	8,5
25/30	25	30	20	12	M5/5	14/6	12,5
36/40	36	40	26	17	M10	20	18

BAGUE ANTIVIBRATOIRE / BUSHING

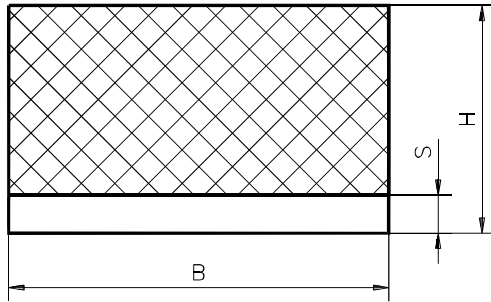


D	d	L1	L2
25	10	20	25
27	14	40	48
30	13	40	40
30	14	25	28
30	14	67	76
32	16	50	54
40	25	20	20
40	25	30	30
45	20	60	63
50	25	30	34
50	25	65	68
55	15,5	30	16
55	30	90	94
60	30	60	68
62	36	65	71
64	38	80	88
80	85	50	52

GS-M1

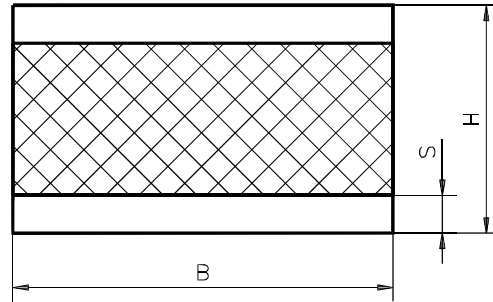
CAPACITE DE CHARGE ELEVEE

L=2000



GS-M2

L=2000



B/H	B	H	s		
			5	10	15
10/30	10	30	○	○	●
20/25	20	25	●	●	○
20/30	20	30	●	○	○
25/25	25	25	●	●	○
25/30	25	30	●	●	○
30/20	30	20	●	●	○
30/30	30	30	●	●	○
35/15	35	15	●	●	○
35/50	35	50	○	●	○
40/20	40	20	●	●	○
40/30	40	30	●	●	○
40/35	40	35	●	●	○
40/40	40	40	●	●	○
40/45	40	45	○	●	○
40/50	40	50	○	●	○
50/10	50	10	●	○	○
50/15	50	15	○	○	●
50/20	50	20	●	●	○
50/25	50	25	●	●	○
50/30	50	30	●	●	○
50/35	50	35	●	●	○
50/40	50	40	●	●	○
50/45	50	45	●	●	○
50/50	50	50	●	●	○
50/55	50	55	○	●	○
50/60	50	60	●	●	●
50/70	50	70	●	●	○
60/20	60	20	●	●	○
60/30	60	30	●	●	○
60/35	60	35	●	●	●
60/40	60	40	●	●	○
60/45	60	45	○	●	○
60/50	60	50	●	●	○
60/55	60	55	●	○	○
60/60	60	60	●	●	●
120/45	120	45	○	●	●
120/50	120	50	○	●	●
120/60	120	60	○	●	●
120/70	120	70	○	●	●
120/80	120	80	○	●	●
150/30	150	30	○	●	○
150/40	150	40	○	○	●
150/50	150	50	○	●	●
150/60	150	60	○	●	●
150/70	150	70	○	●	●

B/H	B	H	s		
			5	10	15
60/70	60	70	●	●	○
60/80	60	80	●	●	○
70/30	70	30	●	●	○
70/40	70	40	●	●	○
70/45	70	45	●	●	○
70/50	70	50	●	●	○
70/60	70	60	●	●	○
70/70	70	70	●	●	○
70/80	70	80	●	●	○
70/55	70	55	○	●	○
70/65	70	60	○	●	○
75/40	75	40	○	●	○
75/55	75	55	○	●	○
80/20	80	20	●	○	○
80/40	80	40	●	●	○
80/45	80	45	●	●	○
80/60	80	60	●	●	○
80/70	80	70	○	●	○
80/80	80	80	●	●	●
90/45	90	45	○	●	●
100/12	100	12	●	○	○
100/20	100	20	●	○	○
100/30	100	30	○	●	○
100/40	100	40	●	●	●
100/45	100	45	○	○	●
100/50	100	50	○	●	●
100*55	100	55	○	●	●
100/60	100	60	○	●	●
100/65	100	65	○	○	●
100/70	100	70	○	●	●
100/75	100	75	○	○	●
100/80	100	80	●	●	●
100/90	100	90	○	●	●
100/100	100	100	○	●	●
110/40	110	40	○	○	●
150/75	150	75	○	○	●
150/80	150	80	○	●	●
150/90	150	90	○	●	●
150/100	150	100	○	●	●
200/30	200	30	○	●	○
200/60	200	60	○	●	●
200/70	200	70	○	○	●
200/80	200	80	○	●	○
200/100	200	100	○	●	○

CHARGE / LOAD DATA**GS-M2**

B	H	L	s	f [mm]	Fv [daN]		
					43Sh	57Sh	68Sh
25	25	2000	5	0,75	16	35	74
				1,5	34	72	154
				2,25	53	113	241
25	30	200	5	1	14	30	66
				2	28	63	136
				3	44	98	212
30	30	2000	5	1	22	47	101
				2	45	98	210
				3	71	153	328
40	20	2000	5	0,5	109	207	415
				1	234	441	885
				1,5	378	710	1 421
50	40	2000	5	1,5	64	138	295
				3	134	287	614
				4,5	312	451	962
50	50	2000	5	2	54	121	262
				4	113	250	543
				6	177	390	846
60	30	2000	10	0,5	479	867	1 705
				1	1 032	1 866	3 665
				1,5	1 677	3 027	5 940
60	60	2000	10	2	86	188	405
				4	180	390	840
				6	283	612	1 315
60	80	2000	10	3	72	163	356
				6	148	336	735
				9	230	520	1 140
70	30	2000	10	0,5	857	1 536	3 005
				1	1 850	3 313	6 470
				1,5	3 015	5 390	10 510
70	50	2000	10	1,5	168	345	717
				3	355	720	1 510
				4,5	565	1 145	2 385

B	H	L	s	f [mm]	Fv [daN]		
					43Sh	57Sh	68Sh
70	60	2000	10	2	130	278	592
				4	273	580	1 235
				6	430	912	1 938
80	45	2000	10	1,25	318	619	1 265
				2,5	678	1 315	2 680
				3,75	1 090	2 105	4 280
80	60	2000	10	2	190	400	838
				4	400	830	1 750
				6	630	1 310	2 760
80	80	2000	10	3	143	317	685
				6	298	628	1 420
				9	468	1 027	2 220
100	60	2000	10	2	368	745	1 550
				4	780	1 570	3 262
				6	1 245	2 500	5 170
100	80	2000	10	3	256	550	1 180
				6	536	1 150	2 455
				9	845	1 800	3 845
120	45	2000	15	0,75	3 215	5 725	11 140
				1,5	6 950	12 360	24 040
				2,25	11 335	20 120	39 110
120	60	2000	15	1,5	985	1 860	3 735
				3	2 110	3 970	7 962
				4,5	3 405	6 380	12 790
120	80	2000	15	2,5	507	1 033	2 156
				5	1 075	2 175	4 535
				7,5	1 710	3 450	7 175
150	60	2000	15	1,5	2 190	4 035	8 005
				3	4 710	8 655	17 150
				4,5	7 640	14 000	27 700
200	100	2000	15	3,5	1 720	3 400	7 020
				7	3 655	7 210	14 825
				10,5	5 855	11 500	23 590

PLAQUES ANTIVIBRATOIRES ANTIDERAPANTES ANTICHOCS



Fig.1

Fig.2

Fig.3

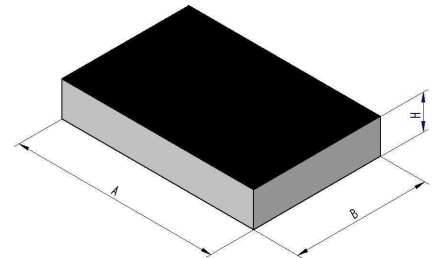
Fig.4

Fig.5

Type	Dimensions mm	Matériau dureté	Charge	Fig.
ALF300	300x300x8	NR 60	1000 kg	1
ALF400	400x400x12	NR 60	2000 kg	1
A300	300x300x10	NR 55	20-100 kg/100cm ²	2
ADS50	400x400x14	NR 50	80-300 kg/100cm ²	3
ADS70	400x400x14	NR 65	200-600 kg/100cm ²	3
ADD50	400x400x17	NR 50	80-300 kg/100cm ²	4
ADD70	400x400x17	NR 65	200-600 kg/100cm ²	4
AL50	400x400x12	NR 50	200-500 kg/100cm ²	5
AL70	400x400x12	NR 65	300-800 kg/100cm ²	5
ALP	400x400x12	Poliur.90	700-2000 kg/100cm ²	5

PLAQUES CAOUTCHOUC / RUBBER PLATE

Type	Dureté	A mm	B mm	H mm	Flèche mm	Charge kg
PLAK5015	60	50	50	15	3	250
PLAK5020	60	50	50	20	4	250
PLAK50	50	50	50	25	4	200
	65	50	50	25	4	350
PLAK60	50	60	60	40	6	250
	65	60	60	40	6	450
PLAK7035	60	70	70	35	7	600
PLAK8025	60	80	80	25	5	900
PLAK8035	60	80	80	35	7	900
PLAK80	50	81	81	44	6	400
	65	81	81	44	6	600
PLAK10060	60	100	100	60	12	1400
PLAK150	50	100	150	25	4	1100
	65	100	150	25	4	3400
PLAK183	50	121	183	33	5	1400
	65	121	183	33	5	2000
PLAK240	50	200	240	30	4.5	2500
	65	200	240	30	4.5	3500



Epaisseurs : 2-40 mm

Thickness: 2-40 mm

Standard ou

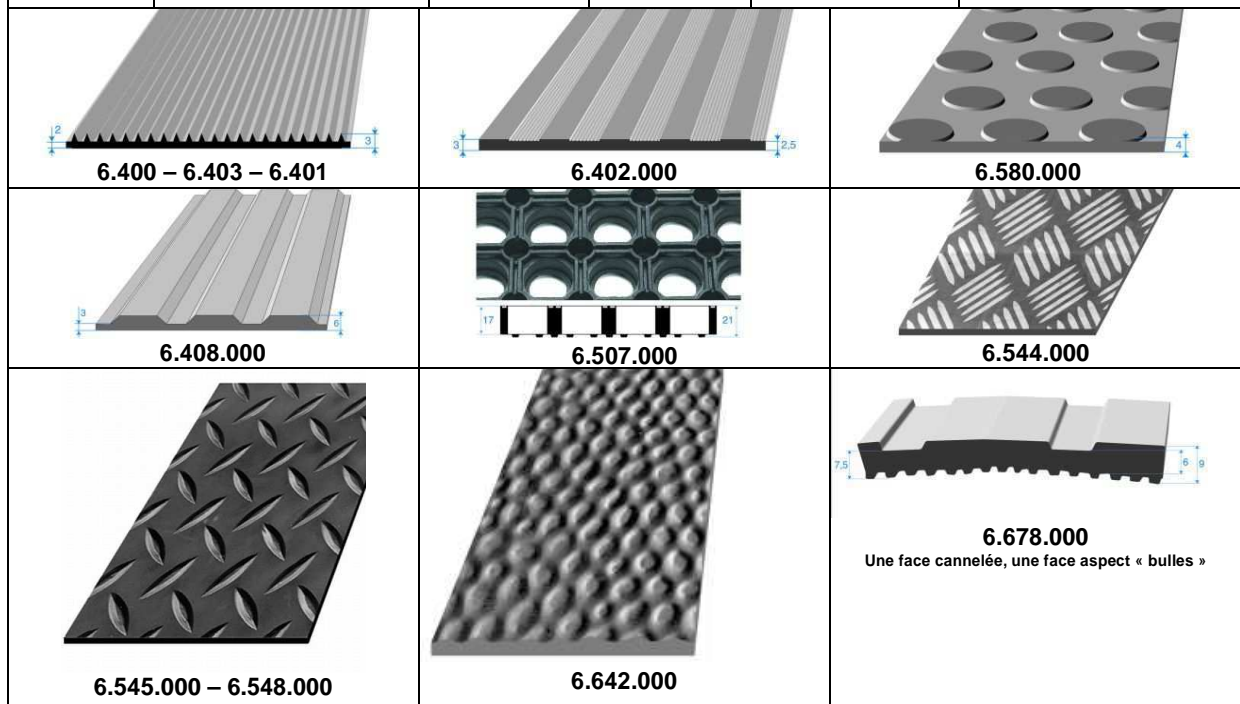
suivant la demande du client:

- insert toilé 1 ou 2 plis
- découpe à la demande
- surface lisse
- surface structurée (pastille, stries...)
- différents matériaux possibles
(NR, EPDM, CR, SBR, NBR, VMQ)



TAPIS DE SOL CAOUTCHOUC

Ref	Type	Qualité	Dureté	Epaisseur mm	Dimension rouleau
6.400.000	Tapis stries fines noir	SBR noir	65	3	10 x 1,20 m
6.400.1500	Tapis stries fines noir	SBR noir	65	3	10 x 1,50 m
6.400.1800	Tapis stries fines noir	SBR noir	65	3	10 x 1,80 m
6.403.000	Tapis stries fines noir	NITRIL	65	3	10 x 1,20 m
6.401.000	Tapis stries fines gris	SBR gris	65	3	10 x 1,20 m
6.402.000	Tapis stries larges	SBR noir	80	3	10 x 1,20 m
6.580.000	Tapis à pastilles Ø 22	SBR noir	70	3	10 x 1,20 m
6.408.000	Tapis cannelé	SBR noir	70	6	10 x 1,20 m
6.507.000	Caillebotis fond ouvert	SBR noir	60	23	1,50 x 1,00 m
6.544.000	Tapis checker	SBR noir	70	3	10 x 1,40 m
6.545.000	Tapis galaxy noir	SBR noir	70	3	10 x 1,50 m
6.548.000	Tapis galaxy gris	SBR gris	70	3	10 x 1,50 m
6.642.000	Tapis remorque martelé	SBR noir	65	8	10 x 1,65 m
6.678.000	Tapis remorque cannelé	SBR noir	65	9	2 x 1,20 m



Caractéristiques des matériaux

Characteristics of materials

Code international		International abbreviation		
Duretés	Résistance à la traction	NR	Caoutchouc Naturel Natural Rubber	
	Résistance au déchirement	SBR	Styrene-Butadiene Rubber	
	Résilience	EPDM	Ethylene-Propylene- Diene Monomer	
	Résistance à la traction permanente	VMQ	Silicone Elastomer	
	Plage de températures	CR	Chloroprene Rubber	
	Résistance à l'abrasion	NBR	Nitrile-Butadiene Rubber	
	Déformation rémnante	Haute température		
		Basse température		
	Froid			
	Chaleur			
Produits pétroliers				
Huile minérale (100 C°)				
Acide (25%-os H2SO4, 50C°)				
Base (25%-os NaOH, 50C°)				
Eau (100 Co-on)				
Intempéries / ozone				
UV				
Imperméabilité aux gaz				
Résistance		Resistance		
Capacités thermiques		Thermal charact.		
Caractéristiques mécaniques à température ambiante		Mechanical Characteristics at room temperature		
		Shore hardness		
		Tensile strength		
		Tear streching		
		Reboundance elasticity		
		Persisting tensile strength		
		Temperature interval		
		Attrition resistance		
		Durable Deformation		
		High temperature		
		Low temperature.		
		Cold resistance		
		Heat resistance		
		Fuel/Patrol		
		Mineral oil (100 C°)		
		Acid (25%-os H2SO4, 50C°)		
		Alkali (25%-os NaOH, 50C°)		
		Water (100 Co-on)		
		Weather and Ozon		
		UV		
		Permeability to gases		

- = Excellent
- ◐ = Bon
- ◑ = Satisfaisant
- ⊙ = Suffisant
- ◒ = Discutable
- = Nul

Vérins à gaz



INOX
Stainless
Steel



Profils caoutchouc



Silentblocs



Manœuvre—serrage

POUR RECEVOIR UNE BROCHURE :

1- Préciser la (les) gamme(s) : 2- Compléter vos coordonnées :

- Vérins à gaz
- Profils caoutchouc
- Silentblocs
- Manœuvre—serrage

Nom :

Société—Adresse :

Téléphone

E-mail